

SLIMdri™

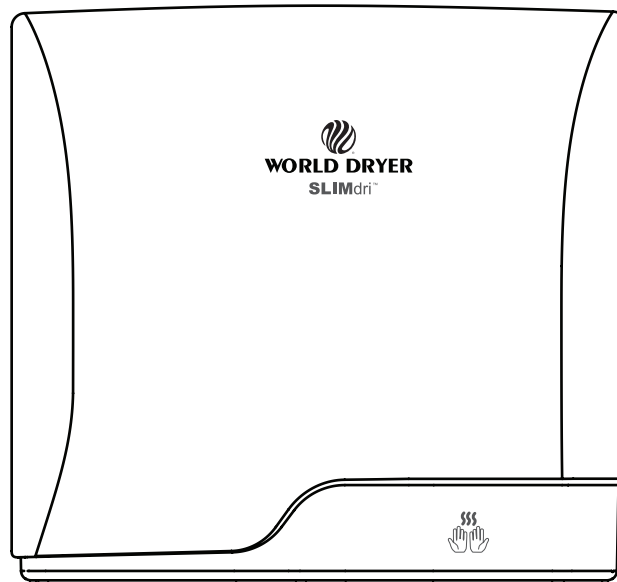
Surface-Mounted ADA Compliant Hand Dryer

Secamanos compatible con ADA de montaje en superficie
Sèche-mains conforme ADA monté en surface
Oberflächenmontierter ADA-konformer Händetrockner
Asciugamani elettrico conforme ADA per montaggio su superficie



All "L48-" Series

Todos los modelos de la Serie L48 . Ensemble de la série L48
Alle Geräte der Serie L48 . Tutte le Serie L48



Please read and save these instructions. Read carefully before attempting to assemble, install, operate or service the product described. Protect yourself and others by observing all safety information. Failure to comply with instructions could result in personal injury and/or property damage. Retain instructions for future reference.

Por favor lea y guarde estas instrucciones. Léalas cuidadosamente antes de tratar de montar, instalar, operar o dar mantenimiento al producto aquí descrito. Protéjase usted mismo y a los demás observando toda la información de seguridad. No seguir las instrucciones puede ocasionar daños, tanto personales como materiales. Guarde estas instrucciones para referencia en el futuro.

Lire et conserver ces instructions. Les lire attentivement avant de commencer à assembler, installer, faire fonctionner, réparer ou entretenir l'appareil décrit. Pour se protéger et protéger autrui, observer toutes les consignes de sécurité. Le fait de négliger d'appliquer ces instructions peut entraîner des blessures et/ou des dommages matériels. Conserver ces instructions pour consultation ultérieure.

Bitte lesen Sie diese Anweisungen und bewahren Sie sie auf. Lesen Sie diese Anweisungen sorgfältig durch, bevor Sie das beschriebene Produkt zusammenbauen, montieren, betreiben bzw. warten. Beachten Sie für Ihren persönlichen Schutz und zum Schutz anderer sämtliche Sicherheitsinformationen. Eine Nichtbeachtung dieser Anweisungen kann zu Verletzungen und/oder Sachschäden führen. Bewahren Sie die Anweisungen für spätere Bezugnahme auf.

Si prega di leggere e conservare queste istruzioni. Leggere con attenzione prima di montare, installare, azionare o riparare il prodotto descritto. Proteggere se stessi e terzi attenendosi alle istruzioni sulla sicurezza. La mancata conformità con le istruzioni potrebbe risultare in lesioni a persone e/o danni a cose. Conservare le istruzioni da leggere in futuro.



World Dryer Corporation

5700 McDermott Drive
Berkeley, IL 60163 U.S.A.
800-323-0701
www.worlddryer.com

Description

World warm air hand dryer is a surface-mounted ADA (American Disabilities Act) compliant dryer powered by a universal brush motor, and delivers up to 950 watts of drying power. The dryer incorporates an integrated heating element with options for operation with, or without, heated air. An infrared sensor is used to automatically activate the dryer. These models are intended for use in commercial, industrial, office and public facility environments.

Electrical Specifications

Table 1

Models	Type	Electrical Inputs	Rated Amperage	Rated Watts	Certifications
L48-XXX	Automatic	230 VAC, 50/60 Hz	4.1 A	950	CE

General Safety Information

This appliance is not intended for use by young children or persons with physical, sensory or mental disabilities unless adequately supervised by a responsible person to ensure they can use the appliance safely. Young children should be supervised to ensure they do not play with the appliance.



DANGER Failure to disconnect the power source before installation or servicing can result in serious injury or death from electric shock.

- Always disconnect the power source before servicing or installing the hand dryer.



DANGER Failure to properly ground this unit could result in severe electrical shock and/or death.

- This hand dryer must be properly grounded earthed or safe operation. An identified ground connection point is supplied on the hand dryer's wall base.

- We recommend GFCI protection in wet or damp locations or as required by local code.



WARNING Risk of fire, personal injury or property damage are possible if local codes, or safety recommendations are not followed.

- Installation and servicing should only be performed by qualified electrical technicians.
- Use only the electrical power (voltage and frequency) specified for the model hand dryer being installed. See Table 1 - Electrical Specifications.
- Connect the hand dryer to the nearest suitable distribution panel. The fixed wiring must include a disconnection means complying with local wiring codes.
- To limit a voltage drop, and insure efficient operation, use No.12 AWG (14 mm²) wire or larger as required by local electrical codes.
- Always connect to a branch circuit with circuit breaker or fuse protection with an electrical rating greater than the model hand dryer's rated amperage shown in Table 1 - Electrical Specifications.
- To avoid a hazard due to inadvertent resetting of the thermal cutout, the hand dryer must not be supplied through an external switching device, such as a timer, or connected to a circuit that is regularly switched on and off by the utility.
- Each automatic model hand dryer must have a dedicated circuit.
- Route all field wiring away from moving parts within the hand dryer.



CAUTION Improper mounting could result in personal injury or property damage.

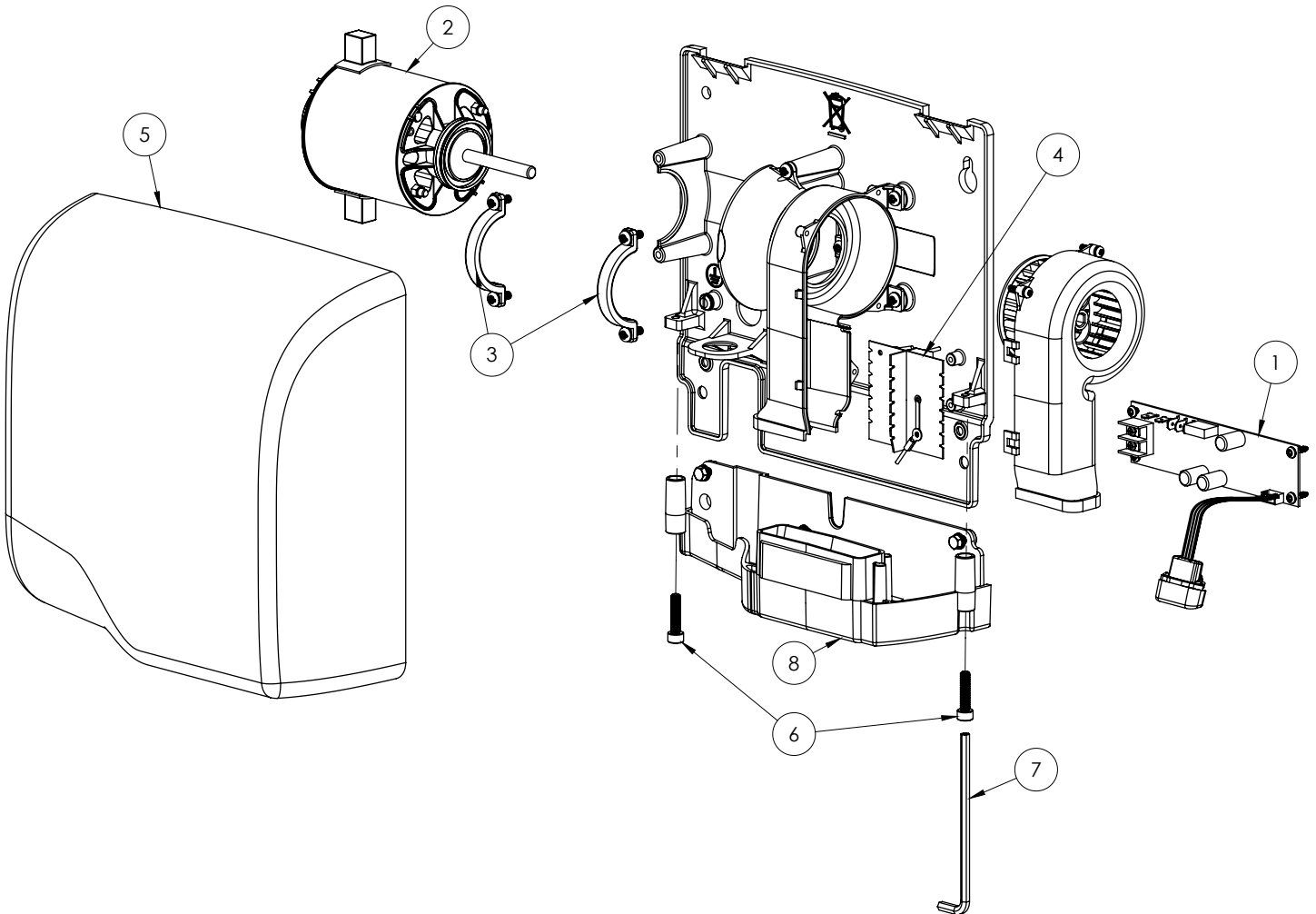
- Follow the mounting height recommendations in Table 2.
- On a stud wall, one side of the hand dryer should be mounted to an existing stud.

Unpacking

1. Remove all packing material. Recycling is recommended.
2. Carefully remove the hand dryer from the shipping carton, using care not to drop the appliance.
3. Inspect carefully for any damage that may have occurred during transit. Check for any loose, missing or damaged parts. If the hand dryer is damaged, promptly inform the dealer where you purchased it.

Parts List

Repair Parts List For SLIMdri™ Hand Dryer



All kits include fasteners needed for installation. Part Number for Cover Assy. (Reference Number 5) varies with model number for hand dryer.

For Repair Parts, visit www.WorldDryer.com
Please provide following information:

- Model number
- Serial number
- Part description and number shown in parts list

#	Description	Part Number
1	Kit, Dryer Controls	16-10145K
2	Kit, Motor	32-230(A)K
3	Kit, Motor Clamps	33-10082K
4	Kit, Heating Element	21-10144K
5	Cover Assy - Alum - White	20-L974
	Cover Assy - Alum - Polished Chrome	20-L970
	Cover Assy - Alum - Brushed Chrome	20-L971
	Cover Assy - Stainless Steel (Polished)	20-L972
	Cover Assy - Stainless Steel (Brushed)	20-L973
6	Kit, Security Screws	46-04022K
7	Wrench, Security	56-10092
8	Kit, Bottom Tray / Grill - (Models L-972, L-973, L-976)	28-10078K
	Kit, Bottom Tray / Grill - (Models L-970, L-971 and L-974)	28-10088K

Installation

1. Disconnect the power source.
2. Using Table 2 to determine the recommended mounting height, select a mounting location for the hand dryer where no reflective surfaces or objects (such as a hand basin) are directly under the infra-red sensor eye. The infra-red sensor eye is visible from the bottom of the dryer. The minimum mounting distance from bottom of the dryer to a reflective surface is 18 in (46 cm). When two or more dryers are installed, they should be spaced apart 24 in (61 cm)
3. Use the security hex key supplied to turn the cover mounting screws **clockwise** to remove the cover from the dryer.
4. Using the mounting template provided, mark locations for the 4 mounting bolt holes on the wall.
5. Fasten the base to the wall, using the type of bolts recommended in Table 3
6. Each dryer must have its own dedicated circuit.
7. Connect the dryer to the nearest suitable distribution panel.
8. Replace cover, turn screws **counter-clockwise** making certain not to over-tighten.

IMPORTANT: Consult local and general regulations before performing dryer installation. Ensure the electrical network is not overloaded. Always connect to a dedicated branch circuit with circuit breaker or fuse protection and an electrical rating greater than the model hand dryer's rated amperage shown in Table 1 - Electrical Specifications.

Table 2

Recommended Mounting Heights from Floor to Dryer Bottom Edge	in. (cm.)
Men's washrooms	46 (117)
Women's washrooms	44 (112)
Children's washrooms, ages 4-7	32 (81)
Children's washrooms, ages 7-10	36 (91)
Children's washrooms, ages 10-13	40 (102)
Children's washrooms, ages 13-17	44 (112)
Handicap Mounting Height	37 (94)

Table 3

Type of Wall	Type of Bolt	Minimum Bolt Length
Hollow Tile, Lath, Wall Board or Metal	1/4" (M6) screw Type or Wing Type toggle Bolts	Dependent on wall thickness
Cement, Brick, or Tile Covered Cement or Brick	1/4" (M6) Stud Type Expansion Bolts	3" (76mm)
Stud Wall with wood Backing	No 16 (M8) Wood Screws	2 3/4" (70mm)

Adjusting Heating Element Controls

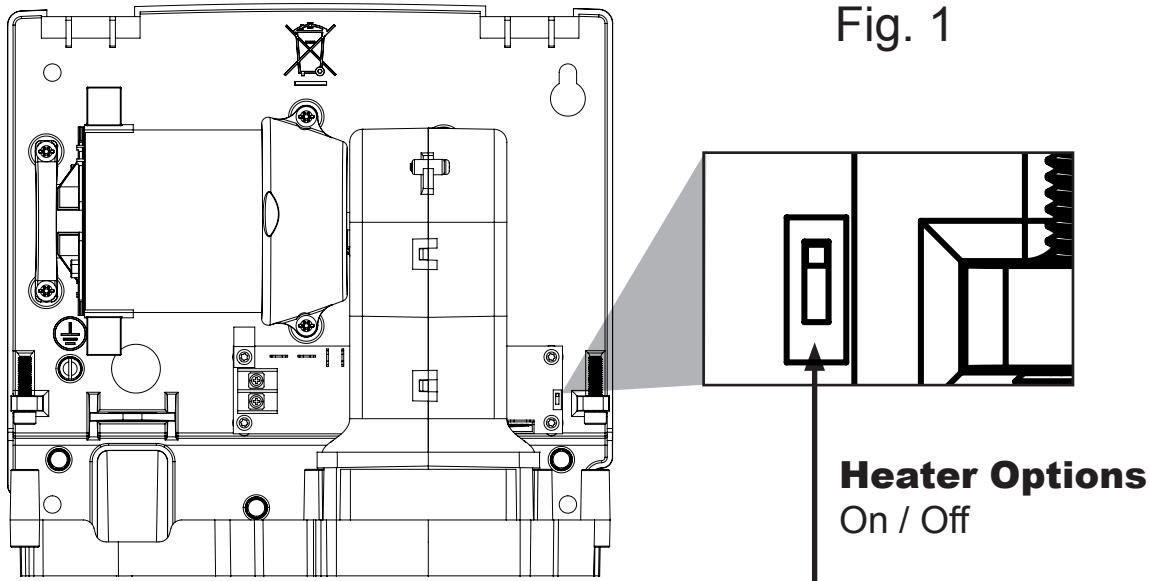
The dryer can be operated with the heating element "ON" or "OFF".

Note: The factory setting for the heating element is "ON".

The heating element control is located on the printed circuit board inside the dryer.

To adjust heating element controls:

1. Disconnect the power source.
2. Use the security hex key supplied to turn the cover mounting screws **clockwise** to remove the cover from the dryer.
3. Locate the heating element control switch on the printed circuit board (see Fig. 1)
4. Position the heating element control switch to "ON" or "OFF" as desired.
5. Reassemble the dryer cover using the security hex key supplied to turn the cover mounting screws **counter-clockwise** and tighten until snug. Do not over tighten.



Maintenance and Cleaning Instructions

IMPORTANT: *The dryer may collect lint and debris that is naturally present in the air. Excessive build up of lint and debris can damage the motor and heating element. The dryer should be cleaned on a routine schedule to maintain the dryer in good operating condition. With light to moderate wash room traffic, cleaning once a year is recommended. If wash room traffic is high, cleaning every 6 months is recommended.*

To clean the hand dryer:

1. Disconnect the power source.
2. Use the security hex key supplied to turn the cover mounting screws clockwise to remove the cover from the dryer.
3. Use a soft-medium bristle paint brush to clean lint, dust and debris from the air intake slots, and the motor's exterior.
4. After cleaning, reassemble the dryer cover using the security hex key supplied to turn the cover mounting screws counter-clockwise and tight until snug. Do not over tighten.

Troubleshooting Chart

Dryer fails to start.	Sensor obstruction.	Check sensor lens for foreign material.
	No power to the unit.	Look directly at sensor lens for LED light. If LED light is "OFF", check incoming power supply is "ON". Check electrical connections.
	Faulty Circuit Board (PCB)	If LED light is "ON". Place hands under sensor. Listen for PCB relay "Click.". If no "Click" is heard, replace the PCB.
	Motor brushes or motor needs replacement.	If incoming power supply is confirmed "ON" and LED light is not visible, replace the PCB.
Dryer will not shut off.	Loose electrical connections	Check incoming power supply connections are secure.
		Replace circuit board (PCB)
	Faulty circuit board (PCB)	Replace dryer controls.

After power to dryer is switched "ON", dryer runs for approximately 30 seconds, then will not restart.	Sensor obstruction or sensor lens scratched or damaged.	Check sensor lens for foreign material or dirt. Clean lens with soft damp cloth and mild cleaning agent. If sensor lens is damaged or scratched, replace sensor.
Dryer "Ghosts" (starts with no hands present.)	Mounted too close to counter or object.	Relocate the object or dryer according to installation instructions to a minimum 18" above any reflective surface and at least 24" from an adjacent hand dryer.
	Electrical noise from incoming power supply or nearby infrared actuated device.	Confirm dryer base is securely grounded.
		Confirm dryer is on a dedicated circuit.
		Check if any nearby infrared actuated device is triggering dryer.
Faulty circuit board (PCB)	Replace circuit board (PCB)	
Dryer air too cold.	Heater control switch is in the "OFF" position.	Re-position heater control switch to "ON".
	Faulty circuit board (PCB)	Place hands under sensor. Listen for PCB relay "Click.". If no "Click" is heard, replace the PCB.
	Faulty heating element	If PCB Relay "Click" is heard and dryer continues to blow cold air, replace heating element.
Dryer air too hot.	Excessive lint / debris build up	See Maintenance and Cleaning Instructions (pg 5)
Dryer air output is too slow.	Excessive lint / debris build up	See Maintenance and Cleaning Instructions (pg 5)
Excessive Noise or Vibration	Loose mounting screws.	Confirm dryer is securely mounted to wall and motor mounts to dryer base are tight and secure.
	Foreign material in fan housing or dryer outlet.	Check and remove any foreign material in fan housing or dryer outlet air slot.

Limited Warranty

World LIMITED TEN – YEAR WARRANTY. World Warm Air Hand Dryer, Model covered in this manual, is warranted by World Dryer Corporation to the original user against defects in workmanship or materials under normal use for 10 years after date of purchase for all components except motor brushes (3 years), motor (5 years) and sensor (5 years). Any part which is determined to be defective in material or workmanship and returned to an authorized service location, as World designates, shipping costs prepaid, will be, as the exclusive remedy, repaired or replaced at World's option. For limited warranty claim procedures, see PROMPT DISPOSITION below. This limited warranty gives purchasers specific rights from jurisdiction to jurisdiction.

LIMITATION OF LIABILITY. To the extent allowable under applicable law, World's liability for consequential and incidental damages is expressly disclaimed. World's liability in all events is limited to and shall not exceed the purchase price paid.

WARRANTY DISCLAIMER. World has made a diligent effort to provide product information and illustrate the products in this literature accurately; however, such information and illustrations are for the sole purpose of identification, and do not express or imply a warranty that the products are MERCHANTABLE, or FIT FOR A PARTICULAR PURPOSE, or that the products will necessarily conform to the illustrations or descriptions. Except as provided below, no warranty or affirmation on fact, expressed or implied, other than as stated in the "LIMITED WARRANTY" above is made or authorized by World.

PRODUCT SUITABILITY. Many jurisdictions have codes and regulations governing sales, construction, installation, and/or use of products for certain purposes, which may vary from those in neighboring areas. While World attempts to assure that the products comply with such codes, it cannot guarantee compliance, and cannot be responsible for how the product is installed or used. Before purchase and use of a product, review the product application, and all applicable national and local codes and regulations, and be sure that the product, installation, and use will comply with them.

Certain aspects of disclaimers are not applicable to consumer products; e.g., (a) some jurisdictions do not allow the exclusion or limitation of incidental or consequential damages, so the above limitation or exclusion may not apply to you; (b) also, some jurisdictions do not allow a limitation on how long an implied warranty lasts, consequentially the above limitation may not apply to you; and (c) by law, during the period of this Limited Warranty, and implied warranties of implied merchantability or fitness for particular purpose applicable to consumer products purchased by consumers, may not be excluded or otherwise disclaimed.

Manufactured by World Dryer Corporation, Berkeley, Illinois 60163 U.S.A.

PROMPT DISPOSITION. World will make a good faith effort for prompt correction or other adjustment with respect to any product which proves to be defective within limited warranty. For any product believed to be defective within limited warranty, first write or call dealer from whom the product was purchased. Dealer will give additional directions. If unable to resolve satisfactorily, write to World at address below, giving dealer's name, address, date, and number of dealer's invoice, and describing the nature of defect. Title and risk of loss pass to buyer on delivery to common carrier. If product was damaged in transit to you, file claim with carrier.



5700 McDermott Drive
Berkeley, IL 60163 U.S.A.
800-323-0701
www.worlddryer.com

Descripción

El secamano de aire caliente de World es un secamano de montaje en superficie compatible con ADA (Acta de Americanos con Discapacidades), impulsado por un motor de cepillo universal, que suministra hasta 950 vatios de potencia de secado. El secador incorpora un elemento calentador con opciones para su manejo con o sin aire caliente. Un sensor infrarrojo activa el secador de forma automática. Estos modelos están pensados para su uso en ambientes de oficina, industriales, comercios y servicios públicos.

Especificaciones del sistema eléctrico

Tabla 1

Modelos	Tipo	Clasificaciones eléctricas	Intensidad nominal	Potencia nominal	Certificados
L48-XXX	Automático	230 VAC, 50/60 Hz,	4.1	950	CE

Información general de seguridad

Este aparato no está diseñado para ser utilizado por niños pequeños o personas con discapacidades físicas, sensoriales o mentales estén convenientemente supervisada por una persona responsable para asegurar que puedan utilizar el aparato de forma segura. Los niños pequeños deben ser supervisados para asegurarse de que no jueguen con el aparato.

⚠ PELIGRO No desconectar la fuente de alimentación eléctrica antes de realizar la instalación o el mantenimiento puede resultar en lesiones graves o la muerte debido a una descarga eléctrica.

- Siempre desconecte la fuente de alimentación eléctrica antes de instalar el secamano o realizar las tareas de mantenimiento.

⚠ PELIGRO No conectar correctamente a tierra esta unidad puede resultar en una descarga eléctrica grave o la muerte.

- Se ha de instalar correctamente la toma a tierra del secamano para un manejo seguro. En la base mural del secamano se identifica un punto de conexión a tierra.
- Recomendamos utilizar un protector GFCI (interruptor de circuito de fallo a tierra) en emplazamientos mojados o húmedos, o donde lo exija el código local.

⚠ ADVERTENCIA Riesgo de incendio, lesiones personales o daños a la propiedad son posibles si no se cumple con los códigos locales o las recomendaciones de seguridad.

- La instalación y el mantenimiento únicamente deben realizarse por técnicos eléctricos capacitados.
- Utilice solamente la energía eléctrica (voltaje y frecuencia) especificada para el modelo de secamano que esté instalando. Consulte la tabla 1: Especificaciones del sistema eléctrico.
- Conecte el secamano en el panel de distribución adecuado más cercano. El cableado fijo debe incluir un interruptor de desconexión que cumpla con los códigos de cableado locales.
- Para limitar las caídas de tensión y garantizar un funcionamiento eficiente, utilice un cable AWG (Calibre de Alambre Estadounidense) n.º 12 o mayor, según lo exijan las normas locales sobre electricidad.
- Realice siempre la conexión a un ramal que tenga instalado un disyuntor o un fusible protector, cuya capacidad eléctrica supere la intensidad nominal del modelo del secamano, como se indica en la Tabla 1: Especificaciones del sistema eléctrico, de acuerdo con el NEC (Código Eléctrico Nacional) o el CEC (Código Eléctrico Canadiense).
- Para evitar cualquier peligro debido a un restablecimiento inadvertido del interruptor térmico, el secamano no se debe administrar mediante un dispositivo de conmutación externo, como un contador, o conectado a un circuito que el aparato encienda y apague con regularidad.
- Todo secamano de modelo automático debe tener un circuito dedicado.
- Separe todo el tendido de cables de las piezas móviles del interior del secamano.
- El NEC (Código Eléctrico Nacional) o el CEC (Código Eléctrico Canadiense) exigen unos accesorios de instalación con superficies lisas y redondeadas, para proteger los cables de alimentación.

⚠ PRECAUCIÓN El montaje incorrecto puede ocasionar lesiones personales o daños materiales.

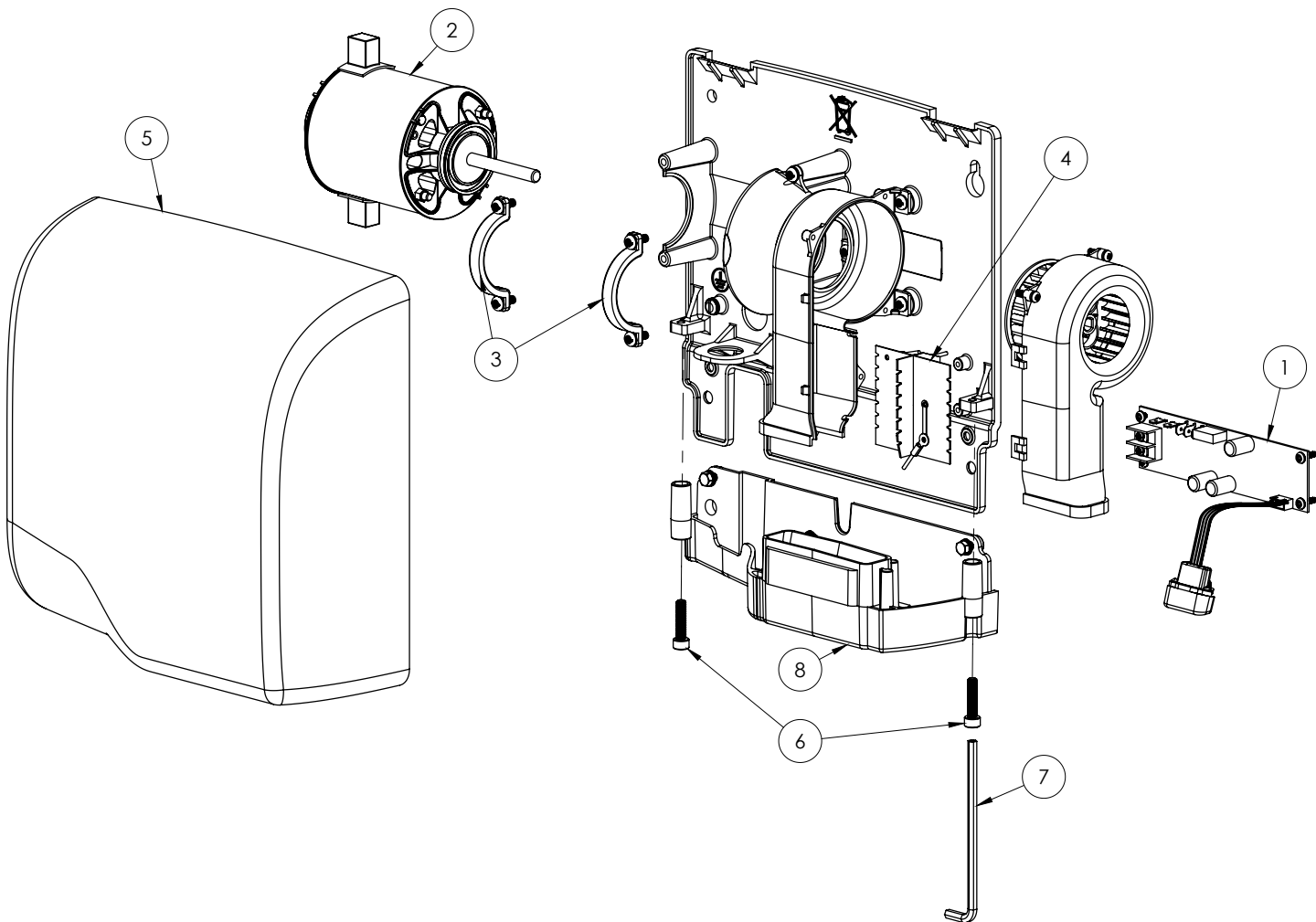
- Observe las alturas de montaje recomendadas en la Tabla 2.
- Para el montaje en una pared de entramado, un lado del secamano debería montarse en un montante existente.

Desembalaje

1. Retire todo el material de embalaje. Se recomienda reciclar.
2. Saque con cuidado el secamano del cartón de embalaje, con precaución para que no se le caiga.
3. Realice una cuidadosa inspección, en busca de cualquier daño que pudiera haber sufrido durante su transporte. Compruebe si hay piezas sueltas, extraviadas o que hayan sufrido daños. Si se ha producido algún daño en el secamano, informe sin demora a su proveedor.

Lista de partes

Lista de partes de repuesto para el secamanos SLIMdri™



Todos los kits incluyen los cierres necesarios para la instalación. El número de pieza del conjunto de cubierta (número de referencia 5) es distinto al número de modelo del secamanos.

Para información sobre repuestos, visite www.WorldDryer.com

Por favor proporcione la siguiente información:

- Número de modelo
- Número de serie
- Descripción de la pieza y número indicado en la lista de partes

#	Descripción	Número de parte
1	Kit, controles del secador	16-10145K
2	Kit, motor	32-230(A)K
3	Kit, abrazaderas del motor	33-10082K
4	Kit, elemento calentador	21-10144K
5	Conjunto de cubierta - Alum. - Blanco	20-L974
	Conjunto de cubierta - Alum. - Cromo pulido	20-L970
	Conjunto de cubierta - Alum. - Cromo bruñido	20-L971
	Conjunto de la cubierta - acero inoxidable - pulida	20-L972
	Conjunto de la cubierta - acero inoxidable - cepillada	20-L973
6	Kit, tornillos de seguridad	46-04022K
7	Llave, seguridad	56-10092
8	Kit, bandeja/plancha inferior (Modelos L-976)	28-10078K
	Kit, bandeja/plancha inferior - (Modelos L-970, L-971 y L-974)	28-10088K

Instalación

1. Desconecte la fuente de alimentación eléctrica.
2. Utilizando la tabla 2 para determinar la altura recomendada de montaje, seleccione un espacio donde montar el secamanos donde no haya superficies u objetos reflectantes (como un lavamanos) directamente bajo el ojo del sensor infrarrojo. El ojo del sensor infrarrojo se puede ver en la parte inferior del secador. La distancia mínima de montaje que puede haber entre la parte inferior del secador y una superficie reflectante es de 18 pulgadas (46 cm). Cuando hay dos o más secadores instalados deberían colocarse a una distancia de 24 pulgadas (61 cm) mínimo entre sí.
3. Utilice la llave Allen de seguridad proporcionada para girar los tornillos de montaje de la cubierta **en el sentido de las agujas del reloj**, para retirar la cubierta del secador.
4. Utilizando la plantilla de montaje proporcionada, marque los puntos de localización para los 4 agujeros de los pernos de montaje en la pared.
5. Sujete la base a la pared, utilizando el tipo de pernos recomendados en la tabla 3
6. Cada secador debe tener su propio circuito dedicado.
7. Conecte el secador al panel de distribución apropiado más cercano.
8. Cambie la cubierta, gire los tornillos **en el sentido contrario al de las agujas del reloj** teniendo cuidado de no apretarlos de más.

IMPORTANTE: Consulte los reglamentos locales y generales antes de realizar la instalación del secador. Asegúrese que la red eléctrica no esté sobrecargada. No conecte a un ramal cuya capacidad nominal supere la intensidad nominal del modelo del secamanos según se indica en la Tabla 1: Especificaciones del sistema eléctrico.

Tabla 2

Alturas de montaje recomendadas desde el suelo hasta la parte inferior del secamanos	pulg. (cm)
Lavabos de hombres	46 (117)
Lavabos de mujeres	44 (112)
Lavabos de niños, para edades entre 4-7	32 (81)
Lavabos de niños, para edades entre 7-10	36 (91)
Lavabos de niños, para edades entre 10-13	40 (102)
Lavabos de niños, para edades entre 13-17	44 (112)
Altura de montaje para discapacitados	37 (94)

Tabla 3

Tipo de pared	Tipo de perno	Longitud mínima del perno
Baldosa hueca, maya, pared de yeso o metal	Tipo de tornillos 1/4" (M6) o pernos acodillados con aletas	Dependiendo del grosor de muro
Cemento, ladrillo, o cemento o ladrillo cubierto con baldosas	Pernos de expansión de tipo espárrago de 1/4" (M6)	3" (76mm)
Muro de entramado con respaldo de madera	Tornillos para madera n.º 16 (M8)	23/4" (70 mm)

Ajuste de los controles del elemento calentador

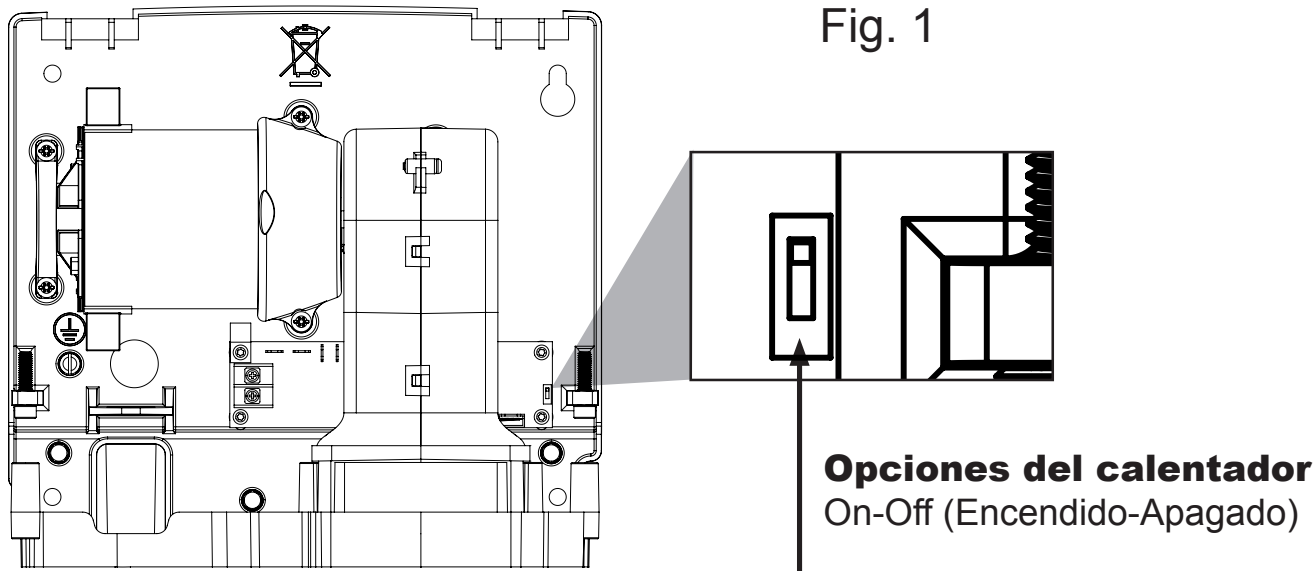
El secador se puede manejar con el elemento calentador en "ON" (encendido) o en "OFF" (apagado).

Nota: el elemento calentador viene de fábrica ajustado en "ON" (encendido).

El control del elemento calentador se localiza en el panel del circuito impreso dentro del secador.

Para ajustar los controles del elemento calentador:

1. Desconecte la fuente de alimentación eléctrica.
2. Utilice la llave Allen de seguridad proporcionada para girar los tornillos de montaje de la cubierta **en el sentido de las agujas del reloj**, para extraer la cubierta del secador.
3. Localice el interruptor de control del elemento calentador en el panel del circuito impreso (consulte Fig. 1)
4. Ponga el interruptor de control del elemento calentador en la posición "ON" (encendido) u "OFF" (apagado).
5. Vuelva a poner la cubierta del secador, utilizando la llave Allen de seguridad proporcionada para girar los tornillos de montaje **en el sentido contrario al de las agujas del reloj**, y apriételos hasta ceñirlos. No los apriete de más.



Instrucciones de mantenimiento y limpieza

IMPORTANTE: *El secador puede acumular pelusas y detritos, presentes en el aire de manera natural. Una acumulación excesiva de pelusas y detritos puede producir daños en el motor y en el elemento calentador. Se ha de limpiar el secador, siguiendo un programa de rutina para mantenerlo en buenas condiciones de funcionamiento. Si el tráfico de personas es entre ligero y moderado, se recomienda realizar esta limpieza una vez al año. Si el tráfico de personas es pesado, se recomienda esta limpieza cada 6 meses.*

Para limpiar el secamanos:

1. Desconecte la fuente de alimentación.
2. Utilice la llave Allen de seguridad proporcionada, para girar en el sentido de las agujas del reloj los tornillos de montaje del cobertor, separándolo del secador.
3. Utilice una brocha para pintar de cerdas medio-suave para limpiar las pelusas, el polvo y los detritos de las ranuras de la entrada de aire y del exterior del motor.
4. Después de la limpieza, vuelva a montar la cubierta del secador, utilizando la llave Allen de seguridad para girar los tornillos de montaje de la cubierta en el sentido contrario al de las agujas del reloj y apriételos hasta ceñirlos. No los apriete de más.

Cuadro de resolución de problemas

El secador no arranca.	Obstrucción en el sensor	Compruebe la lente del sensor por si hubiera presencia de materiales extraños.
	No llega corriente a la unidad.	Mire directamente en la lente del sensor para comprobar la luz del LED. Si la luz del LED está en "OFF", compruebe que la corriente de alimentación de entrada está en "ON". Compruebe las conexiones eléctricas.
	Fallo en el circuito impreso (PCB)	Si la luz del LED está en "ON", coloque las manos bajo el sensor, y preste atención al "clic" que sonará cuando se libere el PCB. Si no lo escucha, sustituya el PCB.
	Necesita cambiar el motor de cepillo o el motor.	Si la corriente de alimentación de entrada se confirma con el "ON" y la luz del LED no es visible, sustituya el PCB.
El secador no se apaga.	Afloje las conexiones eléctricas	Compruebe que las conexiones de la corriente de alimentación de entrada son seguras.
		Cambie el circuito impreso (PCB)
	Fallo en el circuito impreso (PCB)	Cambie los controles del calefactor.

Después de poner la alimentación del secador en "ON", este funciona durante unos 30 segundos y después no se pone en marcha de nuevo.	Obstrucción en el sensor o lente del sensor con arañazos o daños.	Compruebe la lente del sensor en busca de materiales extraños o suciedad. Limpie la lente con un trapo suave y húmedo y un agente de limpieza suave. Si la lente del sensor está dañada o arañada, cambie el sensor.
Secador fantasma (arranca sin que nadie ponga las manos).	Se ha montado demasiado cerca del contador o de un objeto.	Cambie de sitio el objeto o el secador de acuerdo a las instrucciones de instalación, a un mínimo de 18" (46 cm) de distancia de cualquier superficie reflectante y al menos 24" (61 cm) de un secador adyacente.
	Ruido de la electricidad de la corriente de alimentación de entrada o de un dispositivo circundante accionado por infrarrojos.	Confirme que la toma a tierra de la base del secador es segura. Confirme que el secador está conectado a un circuito dedicado. Compruebe que cualquier dispositivo circundante accionado por infrarrojos no está activando el secador.
	Fallo en el circuito impreso (PCB)	Cambie el circuito impreso (PCB)
Aire de secado demasiado frío.	El interruptor de control del elemento calentador está en posición "OFF".	Ponga el interruptor del elemento calentador en "ON".
	Fallo en el circuito impreso (PCB)	Coloque las manos debajo del sensor, preste atención al "clic" que sonará cuando se libere el PCB. Si no lo escucha, sustituya el PCB.
	Fallo en el elemento calentador	Si escucha el "clic" del PCB y el secador continúa expulsando aire frío, cambie el elemento calentador.
Aire de secado demasiado caliente.	Una acumulación excesiva de pelusas/detritos	Consulte las instrucciones de limpieza y mantenimiento (pág. 5)
La salida de aire del secador tiene poca fuerza.	Una acumulación excesiva de pelusas/detritos	Consulte las instrucciones de limpieza y mantenimiento (pág. 5)
Ruido o vibraciones excesivos	Afije los tornillos de montaje	Confirme que el secador está montado de forma segura a la pared y los accesorios de fijación del motor a la base del secador están apretados y seguros.
	Materiales extraños en la carcasa del ventilador o en la salida del secador.	Compruebe y retire cualquier material extraño en la carcasa del ventilador o en la ranura de la salida de aire del secador.

Garantía limitada

GARANTÍA LIMITADA DE DIEZ AÑOS DE World. World Dryer Corporation le garantiza al usuario original que el modelo del secamanos de aire caliente World Dryer tratado en este manual estará libre de defectos de fabricación y materiales si se somete a un uso normal por diez años a partir de la fecha de compra, para todos los componentes, con excepción del motor de cepillo (3 años), el motor (5 años) y el sensor (5 años). Cualquier pieza que se halle defectuosa, ya sea por materiales o construcción, y se devuelva a un centro de reparación autorizado, según lo indique World Dryer, con los costos de envío pagados por adelantado, se reparará o reemplazará, como remedio exclusivo, a la discreción de World Dryer. Para información relacionada con los procedimientos de reclamación provistos por la garantía limitada, consulte más adelante la sección ATENCIÓN OPORTUNA. Esta garantía limitada confiere al comprador derechos específicos que varían de una jurisdicción a otra.

LÍMITES DE RESPONSABILIDAD. En la medida en que las leyes aplicables lo permitan, se excluye expresamente la responsabilidad de World Dryer por daños indirectos o menores. La responsabilidad de World se limita al precio de compra pagado, al cual no sobrepasará.

EXCLUSIÓN DE RESPONSABILIDAD DE LA GARANTÍA. World Dryer se ha esforzado diligentemente en proporcionar a través de este manual información e ilustraciones concernientes al producto; sin embargo, esta información y estas ilustraciones tienen como único fin la identificación del producto, y no expresan ni implican garantía de que los productos sean VENDIBLES o ADECUADOS A UN PROPÓSITO EN PARTICULAR, ni que se ajusten necesariamente a las ilustraciones o descripciones. Con excepción de lo que se establece a continuación, World Dryer no hace ni autoriza ninguna garantía o afirmación de hecho, expresa o implícita, que no se estipule en la "GARANTÍA LIMITADA" anterior.

ADECUACIÓN DEL PRODUCTO. Muchas jurisdicciones tienen códigos o regulaciones sobre la venta, el diseño, la instalación y/o el uso de productos para ciertas aplicaciones; dichas leyes pueden variar de un área a otra. Si bien World Dryer trata de que los productos cumplan con estos códigos, no puede garantizar su cumplimiento ni puede hacerse responsable de la forma en que se instale o utilice el producto. Antes de comprar y utilizar el producto, revise su aplicación y todos los códigos y reglamentos nacionales y locales aplicables, y asegúrese de que el producto, la instalación y el uso los cumplan.

Ciertos aspectos de las limitaciones de responsabilidad no se aplican a los productos de consumo; es decir (a) algunas jurisdicciones no permiten la exclusión o limitación de daños menores o indirectos, por lo cual la limitación o exclusión anterior quizás no se aplique en su caso; (b) asimismo, algunas jurisdicciones no permiten limitar el plazo de las garantías implícitas, por lo cual la limitación anterior quizás no se aplique en su caso; y (c) por ley, mientras estén vigentes, no pueden excluirse ni de ninguna otra manera denegarse la Garantía Limitada y las garantías implícitas de comerciabilidad o idoneidad para un propósito en particular que corresponden a los productos de consumo adquiridos por los consumidores.

Fabricado por World Dryer Corporation, Berkeley, Illinois 60163 U.S.A.

ATENCIÓN OPORTUNA. World Dryer hará un esfuerzo de buena fe para corregir oportunamente o hacer otros ajustes relacionados con cualquier producto que resulte defectuoso dentro de los términos de esta garantía limitada. En el caso de que encuentre un producto defectuoso y que esté cubierto dentro de los límites de esta garantía haga el favor de escribir primero, o llame, al distribuidor a quien le compró el producto. El distribuidor le dará instrucciones adicionales. Si no logra resolver el problema de forma satisfactoria, escriba a World Dryer, y proporcione el nombre y la dirección del distribuidor, así como la fecha y el número de su factura, y describa la naturaleza del defecto. La propiedad del artículo y el riesgo de pérdida pasan al comprador en el momento de la entrega del artículo a la compañía de transporte. Si el producto se daña durante el transporte, debe presentar su reclamo a la compañía transportista.



5700 McDermott Drive
Berkeley, IL 60163 U.S.A.
800-323-0701
www.worlddryer.com

Description

Le sèche-mains à air chaud World Dryer est un sèche-mains monté en surface conforme aux exigences de l'ADA (American Disabilities Act) qui est alimenté par un moteur à balais universel et donne 950 W de puissance de séchage. L'appareil a un élément chauffant intégré avec option de fonctionnement avec ou sans air chauffé. Un capteur infrarouge permet d'activer automatiquement le sèche-mains. Ces modèles sont destinés à une utilisation dans des environnements commerciaux, industriels, publics et dans les bureaux.

Caractéristiques électriques

Tableau 1

Modèles	Type	Caractéristiques électriques	Intensité nominale	Puissance nominale	Certifications
L-XXX	Automatique	230 VAC, 50/60 Hz	4.1 A	950	CE

Consignes générales de sécurité

Ce dispositif n'est pas destiné à être utilisé par de jeunes enfants ou des personnes ayant des handicaps physiques, sensoriels ou mentaux moins correctement supervisés par une personne responsable afin de s'assurer qu'ils peuvent utiliser l'appareil en toute sécurité. Les jeunes enfants doivent être surveillés pour s'assurer qu'ils ne jouent pas avec l'appareil.

⚠ DANGER Débrancher l'alimentation avant de procéder à l'installation, à la réparation ou à l'entretien sous peine de blessures graves ou mortelles résultant d'une électrocution.

- Toujours débrancher l'alimentation avant de réparer, d'entretenir ou d'installer le sèche-mains.

⚠ DANGER Veiller à mettre cet appareil à la terre correctement afin d'éviter tout risque d'électrocution grave, voire mortel.

- Pour fonctionner en toute sécurité, ce sèche-mains doit être correctement mis à la terre. Un point de mise à la terre figure sur le socle mural du sèche-mains.
- Nous recommandons une protection par disjoncteur de fuite à la terre (GFCI) dans les endroits mouillés ou humides, ou si les normes locales l'exigent.

⚠ AVERTISSEMENT Risque d'incendie, de blessures ou de dégâts si les codes locaux ou les consignes de sécurité ne sont pas suivis.

- L'installation et la maintenance doivent être confiées à un électricien qualifié.
- Utiliser uniquement l'alimentation électrique (tension et fréquence) spécifiée pour le modèle de sèche-mains installé. Voir Tableau 1 - Caractéristiques électriques.
- Brancher le sèche-mains sur le tableau de distribution adapté le plus proche. Le câblage fixe doit inclure un interrupteur de déconnexion conforme aux codes de câblage locaux.
- Pour limiter les chutes de tension et garantir un fonctionnement efficace, utiliser du fil de calibre 12 AWG (4 mm²) ou de calibre supérieur conformément aux normes électriques locales en vigueur.
- Toujours raccorder l'appareil à un circuit de dérivation protégé par un disjoncteur ou un fusible aux caractéristiques nominales supérieures à l'intensité nominale du modèle de sèche-mains figurant au tableau 1 – Caractéristiques électriques, conformément au NEC (National Electrical Code) et/ou au Code Canadien de l'électricité (CCE).
- Pour éviter les risques liés à une désactivation accidentelle du sectionneur thermique, cet appareil ne doit pas être alimenté par un dispositif de marche/arrêt externe (minuterie, par ex.) ni branché sur un circuit régulièrement allumé et éteint par le fournisseur d'énergie.
- Chaque sèche-mains automatique doit avoir un circuit électrique qui lui est dédié.
- Acheminer tous les câbles électriques à l'écart des pièces en mouvement dans le sèche-mains.
- Le NEC (National Electrical Code) et/ou le CEC (Code électrique canadien) exigent des raccords d'installation aux surfaces lisses et arrondies pour protéger les câbles d'alimentation.

⚠ ATTENTION Un montage incorrect peut provoquer des accidents corporels et des dommages matériels.

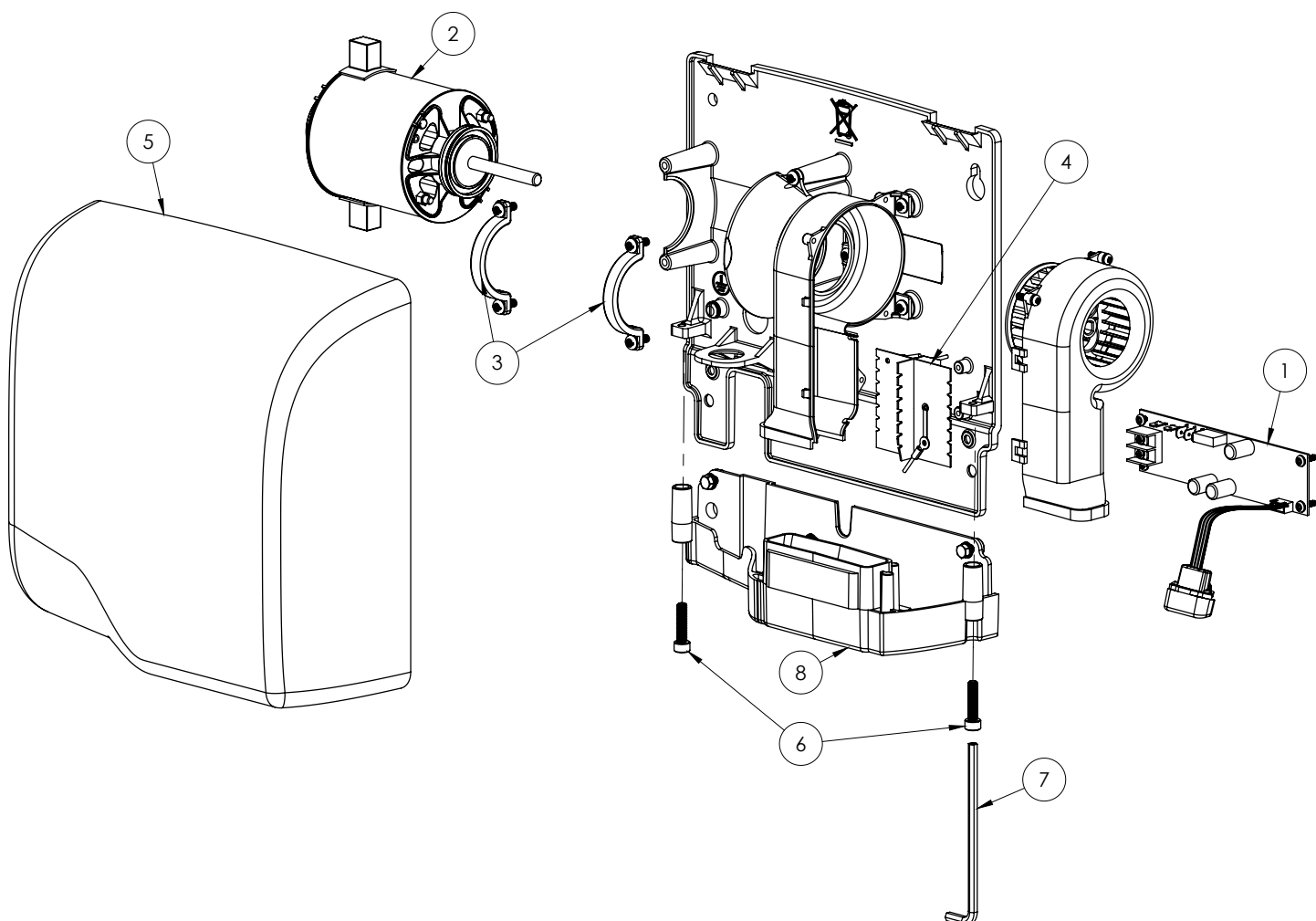
- Suivre les recommandations concernant la hauteur de pose (Tableau 2).
- Sur un mur à poteaux, un côté du sèche-mains doit être monté sur un poteau existant.

Déballage

1. Enlever tout le matériel d'emballage. Recyclage recommandé.
2. Sortir le sèche-mains du carton avec précaution, en veillant à ne pas le faire tomber.
3. Inspecter minutieusement l'appareil pour s'assurer qu'il n'a pas été endommagé en cours de transport. S'assurer qu'aucune pièce n'est desserrée, manquante ou endommagée. Si le sèche-mains est abîmé, prévenir au plus vite le vendeur.

Liste des pièces

Liste des pièces détachées pour le sèche-mains SLIMdri™



Tous les kits incluent les pièces de fixation nécessaires à l'installation. Le numéro de pièce du capot (n° réf. 5) varie en fonction du numéro de modèle du sèche-mains.

Pour des pièces détachées, allez sur le site www.WorldDryer.com

Fournir les renseignements suivants :

- Numéro de modèle
- Numéro de série
- Description et numéro de la pièce figurant sur la liste des pièces

Légende	Description	Numéro de référence
1	Kit, commandes du sèche-mains	16-10145K
2	Kit, moteur	32-230(A)K
3	Kit, étriers du moteur	33-10082K
4	Kit, élément chauffant	21-10144K
5	Capot – aluminium – blanc	20-L974
	Capot – aluminium – chrome poli	20-L970
	Capot – aluminium – chrome brossé	20-L971
	Capot - acier inoxydable - poli	20-L972
	Capot - acier inoxydable - brossé	20-L973
6	Kit, vis de sécurité	46-04022K
7	Clé à six pans, sécurité	56-10092
8	Kit, plateau inférieur / grille - (modèles L-976)	28-10078K
	Kit, plateau inférieur / grille - (modèles L-970, L-971 et L-974)	28-10088K

Installation

1. Couper l'alimentation électrique.
2. En se référant au tableau 2 pour déterminer la hauteur de pose recommandée, sélectionner un emplacement d'installation pour le sèche-mains en veillant à ce qu'aucune surface ni aucun objet réfléchissant (comme un lavabo) ne se trouve directement sous le capteur infrarouge. Le capteur infrarouge est visible pardessous le sèche-mains. La distance minimale de pose entre la surface inférieure du sèche-mains et toute surface réfléchissante est de 18 po (46 cm). Pour l'installation de plusieurs sèche-mains, les espacer d'au moins 24 po (61 cm).
3. Utiliser la clé à six pans fournie pour tourner les vis de fixation du capot **dans le sens des aiguilles d'une montre** afin de retirer le capot du sèche-mains.
4. À l'aide du pochoir d'installation fourni, marquer les repères des quatre trous de fixation sur le mur.
5. Fixer le socle au mur au moyen de boulons du type recommandé au tableau 3.
6. Chaque sèche-mains doit avoir son propre circuit dédié.
7. Brancher le sèche-mains sur le tableau de distribution adapté le plus proche.
8. Remettre le capot en place, tourner les vis **dans le sens contraire des aiguilles d'une montre** en veillant à ne pas trop serrer.

IMPORTANT : Consulter les réglementations locale et générale avant d'installer le sèche-mains. S'assurer que le réseau électrique n'est pas surchargé. Ne pas raccorder l'appareil à un circuit de dérivation aux caractéristiques inférieures à l'intensité nominale du modèle de sèche-mains figurant sur le tableau 1 - Caractéristiques électriques.

Tableau 2

Distances recommandées entre le sol et le bord inférieur du sèche-mains	po (cm)
Toilettes pour hommes	46 (117)
Toilettes pour femmes	44 (112)
Toilettes pour enfants de 4 à 7 ans	32 (81)
Toilettes pour enfants de 7 à 10 ans	36 (91)
Toilettes pour enfants de 10 à 13 ans	40 (102)
Toilettes pour enfants de 13 à 17 ans	44 (112)
Hauteur de montage pour personnes handicapées	37 (94)

Tableau 3

Type de mur	Type de boulon	Longueur minimum des boulons
Parpaings creux, lattes, panneaux de revêtement ou métal	Boulons type vis de 6 mm (M6) ou à ailettes	Dépend de l'épaisseur du mur
Ciment ou brique, carrelé(e) ou non	Boulons extensibles du type à goujon de 6 mm (M6)	3 po (76 mm)
Mur à poteaux avec fond de cloutage en bois	Vis à bois (M8) n° 16	23/4 po (70 mm)

Réglage de la commande de l'élément chauffant

Le sèche-mains peut fonctionner avec l'élément chauffant sur « ON » (Marche) ou sur « OFF » (Arrêt).

Remarque : À la sortie d'usine de l'appareil, l'élément chauffant est réglé sur ON (Marche).

La commande de l'élément chauffant se trouve sur la carte de circuits imprimés, dans le sèche-mains.

Pour ajuster la commande de l'élément chauffant :

1. Couper l'alimentation électrique.
2. Utiliser la clé à six pans de sécurité fournie pour tourner les vis de fixation du capot **dans le sens des aiguilles d'une montre** afin de retirer le capot du sèche-mains.
3. Situer l'interrupteur de commande de l'élément chauffant sur la carte de circuits imprimés (Fig. 1).
4. Placer l'interrupteur de commande de l'élément chauffant sur ON (marche) ou sur OFF (arrêt), selon les besoins.
5. Remettre le capot de l'appareil en place en utilisant la clé à six pans de sécurité fournie pour tourner les vis de fixation du capot **dans le sens contraire des aiguilles d'une montre** et bien les serrer sans exagérer.

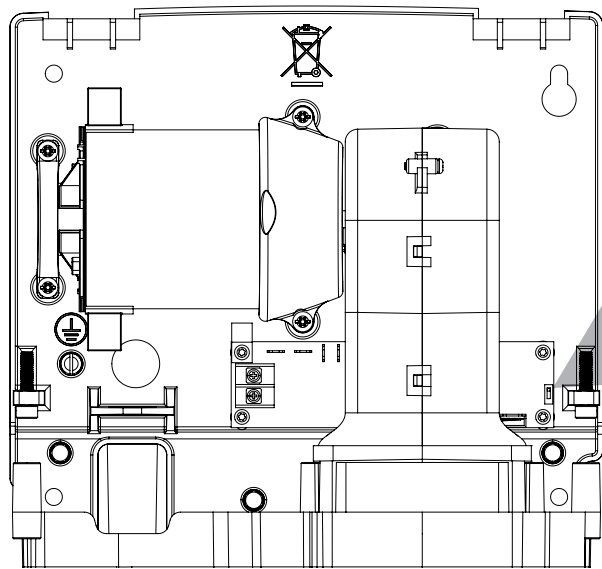
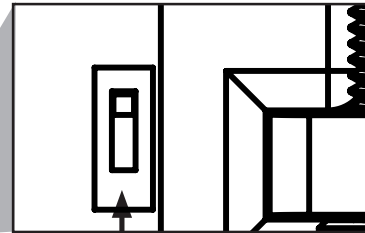


Fig. 1



Options de l'élément chauffant
On/Off (marche/arrêt)

Instructions d'entretien et de nettoyage

IMPORTANT : Le sèche-mains peut collecter les peluches et les particules qui sont naturellement présentes dans l'atmosphère. L'accumulation excessive de peluches et de particules risque d'endommager le moteur et l'élément chauffant. Le sèche-mains doit être régulièrement nettoyé pour être maintenu en bon état de fonctionnement. Dans les toilettes légèrement à modérément fréquentées, un nettoyage annuel est recommandé. Dans les toilettes très fréquentées, un nettoyage doit avoir lieu tous les 6 mois.

Pour nettoyer le sèche-mains :

1. Couper l'alimentation électrique.
2. Utiliser la clé à six pans de sécurité fournie pour tourner les vis de fixation du capot dans le sens des aiguilles d'une montre afin de retirer le capot du sèche-mains.
3. Utiliser un pinceau à soies molles à moyennes pour nettoyer les peluches, la poussière et les particules des fentes d'admission d'air et de l'extérieur du moteur.
4. Après le nettoyage, remettre le capot de l'appareil en place en utilisant la clé à six pans fournie pour tourner les vis de fixation du capot dans le sens inverse des aiguilles d'une montre et bien les serrer sans exagérer.

Tableau de dépannage

Le sèche-mains ne démarre pas.	Obstruction du capteur.	S'assurer que le capteur est propre.
	L'appareil n'est pas alimenté.	Regarder droit dans l'axe de la LED du capteur. Si la LED est éteinte, s'assurer que l'interrupteur de l'appareil est en position Marche (ON). Vérifier les branchements électriques.
	Carte de circuits imprimés défectueuse	Si la LED est allumée, placer les mains sous le capteur. Tendre l'oreille pour vérifier le cliquetis du relais de la carte. En l'absence de cliquetis, remplacer la carte de circuits imprimés.
	Les balais du moteur ou le moteur doivent être remplacés.	Si l'alimentation de l'appareil est confirmée et que la LED n'est pas allumée, remplacer la carte de circuits imprimés.
Le sèche-mains ne s'arrête pas.	Connecteurs électriques desserrés	S'assurer que les branchements électriques sont sûrs. Remplacer la carte de circuits imprimés (PCB).
	Carte de circuits imprimés (PCB) défectueuse	Se reporter à la page 3 pour des instructions.

Après sa mise sous tension, le sèche-mains démarre et fonctionne pendant une trentaine de secondes, puis ne redémarre plus.	Obstruction du capteur ou capteur rayé ou abîmé.	S'assurer que le capteur est propre. Nettoyer le capteur avec un chiffon doux humide et un nettoyant doux. Si le capteur est abîmé ou rayé, le remplacer.
« Fantômes » déclenchant le sèche-mains (démarre en l'absence de mains)	Monté trop près du compteur ou de l'objet.	Déplacer l'objet ou le sèche-mains en suivant les instructions d'installation jusqu'à 18 po (46 cm) au-dessus de toute surface réfléchissante et au moins 24 po (61 cm) de tout sèche-mains adjacent.
	Parasites provenant de l'alimentation ou appareil à commande infrarouge situé à proximité.	Confirmer la mise à la terre du socle du sèche-mains.
		Confirmer que le sèche-mains fonctionne sur un circuit qui lui est dédié.
	Vérifier si un appareil à commande infrarouge situé à proximité ne déclenche pas le sèche-mains.	
Carte de circuits imprimés (PCB) défectueuse	Remplacer la carte de circuits imprimés (PCB).	
L'air sortant du sèche-mains est trop froid.	L'interrupteur de commande de l'élément chauffant est en position OFF.	Remettre l'interrupteur en position ON.
	Carte de circuits imprimés (PCB) défectueuse	Placer les mains sous le capteur. Tendre l'oreille pour vérifier le cliquetis du relais de la carte. En l'absence de cliquetis, remplacer la carte de circuits imprimés.
	Élément chauffant défectueux	Si le cliquetis du relais est audible et que le sèche-mains continue à souffler de l'air froid, remplacer l'élément chauffant.
Air du sèche-mains trop chaud.	Accumulation excessive de peluches / particules	Voir « Instructions d'entretien et de nettoyage » (page 5).
Le jet d'air sortant du sèche-mains manque de puissance.	Accumulation excessive de peluches / particules	Voir « Instructions d'entretien et de nettoyage » (page 5).
Bruit ou vibrations excessifs	Vis de fixation desserrées.	Confirmer la fixation sûre du sèche-mains sur le mur et du support du moteur sur le socle du sèche-mains.
	Particules étrangères dans le boîtier du ventilateur ou à la sortie du sèche-mains.	Vérifier et enlever toutes les particules étrangères du boîtier du ventilateur ou de la sortie du sèche-mains.

Garantie limitée

GARANTIE LIMITÉE DE DIX ANS de World Dryer. Le modèle de sèche-mains à air chaud World Dryer traité dans ce manuel est garanti par la World Dryer Corporation l'utilisateur initial contre tout défaut de fabrication ou de matériel dans des conditions normales d'utilisation pendant 10 ans après la date d'achat pour tous les composants, à l'exception des balais du moteur (3 ans), du moteur (5 ans) et du capteur (5 ans). Toute pièce présentant, selon World Dryer, des défauts de fabrication ou de matériau et retournée, port payé, à un centre de service autorisé, sera réparée ou remplacée au choix de World Dryer, à titre de recours exclusif. Voir les procédures de réclamations sous garantie dans la rubrique « PROMPT RÉGLEMENT », ci-après. La présente garantie donne aux acheteurs des droits spécifiques, qui varient selon les juridictions.

LIMITES DE RESPONSABILITÉ. Dans la mesure permise au titre de la loi applicable, World Dryer décline expressément toute responsabilité pour tout dommage accessoire et indirect. La responsabilité de World Dryer est dans tous les cas limitée et ne saurait dépasser le prix d'achat.

CLAUSE DE NON-GARANTIE. World Dryer a consenti des efforts raisonnables pour fournir des informations sur les produits et illustrer précisément les produits dans cette documentation ; toutefois, ces informations et ces illustrations sont réservées à une identification et n'expriment ou n'impliquent pas de garantie de QUALITÉ COMMERCIALE des produits ni leur ADAPTATION À UN BUT PARTICULIER, ni que les produits seront nécessairement conformes aux illustrations ou aux descriptions. Sauf indication contraire ci-dessous, aucune garantie ou affirmation sur un fait, expresse ou tacite, autre que la GARANTIE LIMITÉE ci-dessus n'est faite ou autorisée par World Dryer.

ADÉQUATION DU PRODUIT. Dans de nombreuses juridictions, les normes et les réglementations qui régissent les ventes, la construction, l'installation et/ou l'utilisation de produits pour certains usages peuvent être différentes de celles de régions avoisinantes. Bien que World Dryer se soit efforcée de rendre ses produits conformes à ces normes, la société ne peut en garantir la conformité et ne saurait être responsable de la manière dont les produits sont installés ou utilisés. Avant d'acheter et d'utiliser un produit, il est conseillé d'étudier son application ainsi que les normes et réglementations nationales et locales, et de s'assurer de la conformité à ces normes de ces produits, de leur installation et de leur utilisation.

Certains aspects des clauses de non-garantie ne sont pas applicables aux produits de consommation. Par exemple, (a) certaines juridictions n'autorisent pas l'exclusion ou la limitation des dommages accessoires ou indirects, la limitation ou l'exclusion susmentionnée peut ne pas s'appliquer à votre cas ; (b) en outre, certaines juridictions n'autorisent pas de limite sur la durée d'une garantie implicite, par conséquent la limite susmentionnée peut ne pas s'appliquer à votre cas ; et © en vertu de la loi, durant la période de garantie limitée, toute garantie implicite de qualité marchande ou d'adéquation à un usage particulier applicable aux produits de consommation achetés par des consommateurs, est susceptible de ne pas pouvoir être exclue ou autrement reniée.

Fabriqué par World Dryer Corporation, Berkeley, Illinois 60163 États-Unis.

PROMPT RÉGLEMENT. World Dryer s'engage à effectuer de bonne foi les rectifications ou autres ajustements prévus pour tout produit qui s'avère défectueux durant la période de garantie limitée. Pour tout produit jugé défectueux durant la période de garantie limitée, contacter tout d'abord le revendeur chez qui l'appareil a été acheté. Le revendeur fournira des instructions supplémentaires. S'il est impossible de résoudre le problème de façon satisfaisante, écrire à World Dryer à l'adresse ci-dessous, en indiquant le nom et l'adresse du revendeur, la date et le numéro de la facture du revendeur, ainsi que la nature du défaut constaté. Le titre et le risque de perte sont transmis à l'acheteur au moment de la livraison par le transporteur. Si le produit a été endommagé pendant le transport, une réclamation doit être adressée auprès du transporteur.



5700 McDermott Drive
Berkeley, IL 60163 États-Unis
800-323-0701
www.worlddryer.com

Beschreibung

Der oberflächenmontierte ADA (American Disabilities Act)-konforme Warmluft-Händetrockner von World verfügt über einen Universal-Bürstenmotor und hat eine Trocknungsleistung von bis zu 950 Watt. Er ist mit einem integrierten Heizelement mit Optionen für den Betrieb mit oder ohne erhitzte Luft ausgestattet. Ein Infrarotsensor aktiviert den Trockner automatisch. Diese Modelle sind zur Benutzung in gewerblichen, industriellen und Bürouräumen sowie öffentlichen Einrichtungen vorgesehen.

Technische Daten - Elektrik

Tabelle 1

Modelle	Typ	Leistungseingangsdaten	Nennstromstärke	Nennleistung (Watt)	Zertifikationen
L48-XXX	Ein- und Ausschalt-automatik	230 VAC, 50/60 Hz	4,1 A	950	CE

Allgemeine Sicherheitsinformationen

Dieses Gerät ist nicht für kleine Kinder oder Personen mit physischen, sensorischen oder geistigen Behinderungen bestimmt, es sei denn, sie werden von einer verantwortlichen Person beaufsichtigt, um sicherzustellen, dass sie das Gerät sicher verwenden können. Kleine Kinder sind zu beaufsichtigen, um sicherzustellen, dass sie nicht mit dem Gerät spielen.



GEFAHR

Wird das Gerät vor der Montage bzw. der Wartung nicht von der Stromquelle getrennt, kann dies zu schwerwiegenden Verletzungen oder Tod durch elektrischen Schlag führen.

- Den Händetrockner vor Wartungsarbeiten oder der Montage des Geräts stets von der Stromquelle trennen.



GEFAHR

Wird dieses Gerät nicht ordnungsgemäß geerdet, kann dies zu einem schweren elektrischen Schlag und/oder zum Tode führen.

- Der Händetrockner muss ordnungsgemäß geerdet werden, damit ein sicherer Betrieb gewährleistet ist. An der Wandbasis des Händetrockners findet sich ein gekennzeichnete Erdungspunkt.
- In nassen bzw. feuchten Umgebungen empfehlen wir den Einbau eines Erdschlussunterbrechers bzw. ist dies gemäß örtlichen Elektrovorschriften vorgeschrieben.



WARNHINWEIS

Eine Nichtbeachtung örtlicher Elektrovorschriften bzw. Sicherheitsempfehlungen kann zu Bränden, Verletzungen oder Sachschäden führen.

- Die Montage und Wartung nur von qualifizierten Elektrikern durchführen lassen.
- Nur die für das zu montierende Händetrockner-Modell vorgeschriebene elektrische Leistung (Spannung und Frequenz) verwenden. Siehe Tabelle 1 - Technische Daten - Elektrik.
- Den Händetrockner an die am nächsten liegende Verteilertafel anschließen. Die feste Verkabelung muss über eine Trennvorrichtung verfügen, die den örtlichen Verkabelungsvorschriften entspricht.
- Um Spannungsabfälle zu begrenzen und einen effizienten Betrieb zu gewährleisten, sind Leiter der Mindestgröße AWG Nr. 12 (14 mm²) gemäß örtlichen Elektrovorschriften zu verwenden.
- Das Gerät stets an einen Abzweigkreis mit einem Leistungsschalter bzw. einer Absicherung mit einer elektrischen Belastbarkeit anschließen, die größer als die in Tabelle 1 - Technische Daten - Elektrik aufgeführte Nennstromstärke des entsprechenden Händetrockner-Modells ist.
- Um ein gefährliches unbeabsichtigtes Rücksetzen des Temperaturbegrenzers zu vermeiden, darf der Händetrockner nicht über ein externes Schaltgerät, wie z. B. einen Timer, gespeist bzw. an einen Stromkreis angeschlossen werden, der vom Versorgungsunternehmen regelmäßig ein- und ausgeschaltet wird.
- Jeder Händetrockner mit Ein- und Ausschaltautomatik muss an einem eigenen Stromkreis angeschlossen sein.
- Sämtliche Feldverkabelungen in sicherer Entfernung von beweglichen Teilen im Händetrockner verlegen.



VORSICHT

Eine unsachgemäße Montage kann zu Verletzungen oder Sachschäden führen.

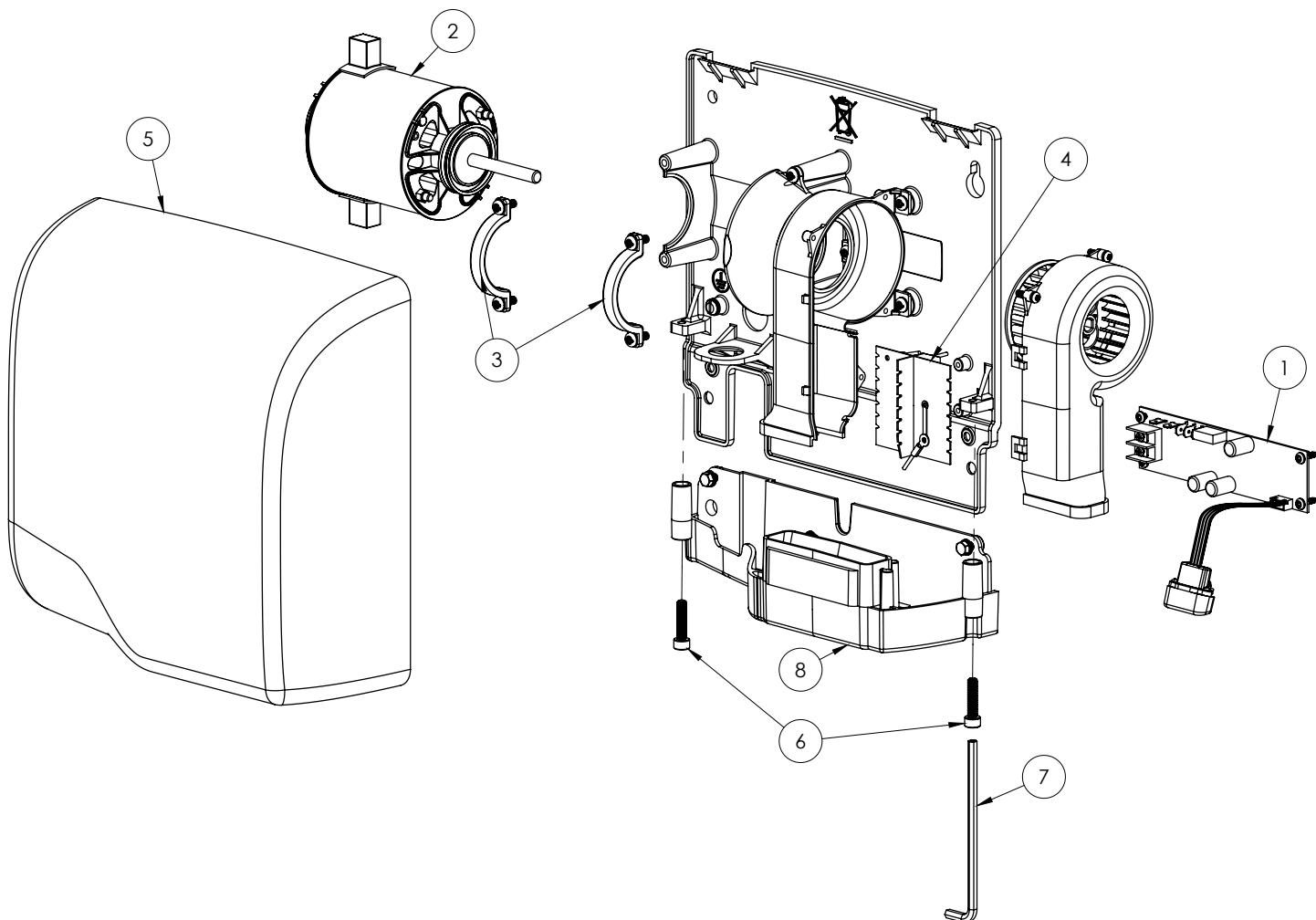
- Die Empfehlungen zur Montagehöhe in Tabelle 2 beachten.
- Bei der Montage an einer Wand mit Ständerprofilen muss eine Seite des Händetrockners an einem vorhandenen Ständer befestigt werden.

Auspacken

1. Sämtliches Verpackungsmaterial entfernen. Wir empfehlen, das Verpackungsmaterial zu recyceln.
2. Den Händetrockner vorsichtig aus dem Versandkarton nehmen. Darauf achten, dass er nicht herunterfällt.
3. Das Gerät sorgfältig auf eventuell während des Transports entstandene Schäden überprüfen. Auf lose, fehlende bzw. beschädigte Teile überprüfen. Wenn der Händetrockner beschädigt ist, den Händler, bei dem Sie das Gerät erworben haben, umgehend informieren.

Teilleiste

Liste der Reparaturteile für den SLIMdri™ Händetrockner



Alle Sätze enthalten die für die Montage notwendigen Befestigungsteile. Die Teilenummer für die Abdeckung (Bezugsnummer 5) ist je nach Modellnummer für den Händetrockner verschieden.

Reparaturteile finden Sie unter
www.WorldDryer.com.

Geben Sie bitte die folgenden Informationen an:

- Modellnummer
- Seriennummer
- Teilebeschreibung und in der Teilleiste aufgeführte Nummer

#	Beschreibung	Teilenummer
1	Satz, Trocknersteuerung	16-10145K
2	Satz, Motor	32-230(A)K
3	Satz, Motorklemmen	33-10082K
4	Satz, Heizelement	21-10144K
5	Abdeckung - Alum - Weiß	20-L974
	Abdeckung - Alum - Glanzchrom	20-L970
	Abdeckung - Alum - Mattchrom	20-L971
	Abdeckung - Edelstahl - Glanzpoliert	20-L972
	Abdeckung - Edelstahl - Mattgebürstet	20-L973
6	Satz, Sicherheitsschrauben	46-04022K
7	Schlüssel, Sicherheit	56-10092
8	Satz, Bodenwanne/Gitter (Modelle L-972, L-973, L-976)	28-10078K
	Satz, Bodenwanne/Gitter (Modelle L-970, L-971, L-974)	28-10088K

Montage

1. Das Gerät von der Stromquelle trennen.
2. Die empfohlene Montagehöhe ist in Tabelle 2 aufgeführt. Einen Montageort für den Händetrockner wählen, an dem sich keine reflektierenden Oberflächen oder Gegenstände (wie z. B. ein Waschbecken) direkt unter dem Infrarotauge befinden. Das Infrarotauge ist an der Unterseite des Trockners sichtbar. Der Mindestmontageabstand von der Unterseite des Trockners zu einer reflektierenden Oberfläche beträgt 46 cm. Wenn zwei oder mehr Trockner montiert werden, sollte der Abstand zwischen ihnen 61 cm betragen.
3. Mit dem im Lieferumfang enthaltenen Inbusschlüssel die Befestigungsschrauben der Abdeckung im **Uhrzeigersinn drehen**, um die Abdeckung vom Trockner abzunehmen.
4. Die mitgelieferte Montageschablone zum Markieren der 4 Bohrlöcher für die Befestigungsschrauben in der Wand verwenden.
5. Die Basis mithilfe des in Tabelle 3 empfohlenen Schraubentyps befestigen.
6. Jeder Trockner muss an einem eigenen Stromkreis angeschlossen sein.
7. Den Händetrockner an der am nächsten liegenden Verteilertafel anschließen.
8. Die Abdeckung befestigen. Hierzu die Schrauben **entgegen dem Uhrzeigersinn drehen**. Die Schrauben dürfen nicht überdreht werden.

WICHTIG: Informieren Sie sich vor der Montage des Händetrockners über die örtlichen und allgemeinen Elektrovorschriften. Stellen Sie sicher, dass das elektrische Netz nicht überlastet ist. Das Gerät stets an einen eigenen Abzweigkreis mit einem Leistungsschalter bzw. einer Absicherung mit einer elektrischen Belastbarkeit anschließen, die größer als die in Tabelle 1 - Technische Daten - Elektrik aufgeführte Nennstromstärke des entsprechenden Händetrockner-Modells ist.

Tabelle 2

Empfohlene Montagehöhen vom Boden bis zur Unterkante des Trockners	Zoll (cm)
Waschraum für Männer	46 (117)
Waschraum für Frauen	44 (112)
Waschraum für Kinder zwischen 4 und 7 Jahren	32 (81)
Waschraum für Kinder zwischen 7 und 10 Jahren	36 (91)
Waschraum für Kinder zwischen 10 und 13 Jahren	40 (102)
Waschraum für Kinder zwischen 13 und 17 Jahren	44 (112)
Montagehöhe für Benutzung durch Behinderte	37 (94)

Tabelle 3

Art der Wand	Schraubentyp	Schraubenmindestlänge
Hohlziegel, Latte, Leichtbauplatte oder Metall	¼-Zoll-Schraube (M6) oder Knebelschraube	Abhängig von der Dicke der Wand
Zement, Ziegelstein oder Fliesen auf Zement oder Ziegelstein	¼-Zoll-Spreizdübel für Ständer (M6)	3 Zoll (76 mm)
Wand mit Ständerprofil und Holzhinterlegung	Holzschrauben Nr. 16 (M8)	2 3/4 Zoll (70 mm)

Einstellen der Steuerung des Heizelements

Der Händetrockner kann bei ein- und ausgeschaltetem Heizelement betrieben werden.

Hinweis: Das Heizelement ist werkseitig eingeschaltet.

Die Steuerung des Heizelements befindet sich auf der Leiterplatte im Trockner.

Einstellen der Steuerung des Heizelements:

1. Das Gerät von der Stromquelle trennen.
2. Mit dem im Lieferumfang enthaltenen Inbusschlüssel die Befestigungsschrauben der Abdeckung im **Uhrzeigersinn drehen**, um die Abdeckung vom Trockner abzunehmen.
3. Der Steuerschalter des Heizelements befindet sich auf der Leiterplatte (siehe Abb. 1).
4. Den Steuerschalter des Heizelements wie gewünscht auf ON (Ein) oder OFF (Aus) stellen.
5. Die Abdeckung des Trockners mithilfe des im Lieferumfang befindlichen Inbusschlüssels wieder anbringen. Die Befestigungsschrauben der Abdeckung **entgegen dem Uhrzeigersinn drehen** und festziehen. Die Schrauben nicht zu fest anziehen.

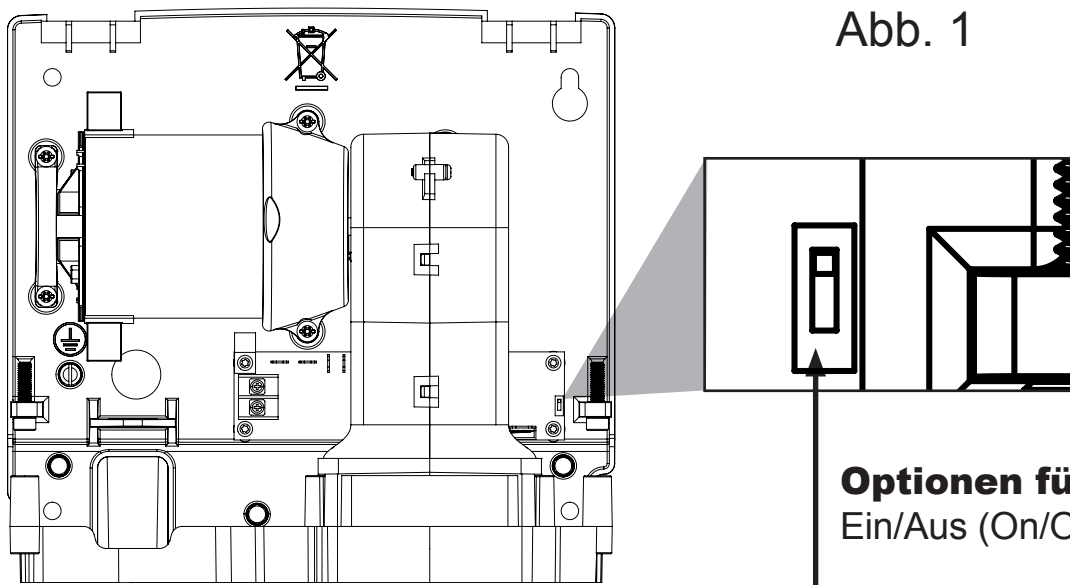


Abb. 1

Optionen für das Heizelement
Ein/Aus (On/Off)

Wartungs- und Reinigungsanweisungen

WICHTIG: *Im Trockner können sich Flusen und Schmutzrückstände ansammeln, die natürlich in der Luft vorhanden sind. Eine übermäßige Ansammlung von Flusen und Schmutzrückständen können zu Schäden am Motor und am Heizelement führen. Der Trockner sollte routinemäßig gereinigt werden, um ihn in gutem Betriebszustand zu halten. Bei einem Waschraum mit leichtem bis mittelstarkem Verkehr wird empfohlen, den Trockner einmal im Jahr zu reinigen. Wenn der Verkehr im Waschraum hoch ist, sollte der Trockner alle 6 Monate gereinigt werden.*

Reinigung des Handtrockners:

1. Das Gerät von der Stromquelle trennen.
2. Mit dem im Lieferumfang enthaltenen Inbusschlüssel die Befestigungsschrauben der Abdeckung im Uhrzeigersinn drehen, um die Abdeckung vom Trockner abzunehmen.
3. Mit einer Bürste mit weichen bis mittelharten Borsten Flusen, Staub und Schmutzrückstände von den Lufteinlassschlitzen und der Außenseite des Motors abwischen.
4. Nach der Reinigung die Abdeckung des Trockners mithilfe des im Lieferumfang befindlichen Inbusschlüssels wieder anbringen. Die Befestigungsschrauben der Abdeckung entgegen dem Uhrzeigersinn drehen und festziehen. Die Schrauben nicht zu fest anziehen.

Fehlersuche

Trockner startet nicht.	Sensor blockiert.	Sensorlinse auf Fremdkörper überprüfen.
	Gerät wird nicht mit Strom versorgt.	In der Sensorlinse nach dem LED-Licht suchen. Wenn das LED-Licht ausgeschaltet ist, überprüfen, ob die Eingangsstromversorgung eingeschaltet ist. Elektrische Anschlüsse überprüfen.
	Fehlerhafte Leiterplatte.	Falls das LED-Licht eingeschaltet ist: Hände unter den Sensor halten. Auf ein „Klicken“ des Leiterplattenrelais achten. Wenn kein „Klicken“ hörbar ist, die Leiterplatte ersetzen.
	Motorbürsten oder Motor müssen ersetzt werden.	Wenn die Eingangsstromversorgung eingeschaltet und kein LED-Licht sichtbar ist, die Leiterplatte ersetzen.
Trockner schaltet sich nicht ab.	Lockere elektrische Anschlüsse.	Überprüfen, ob die Eingangsstromversorgungsanschlüsse fest sitzen. Leiterplatte ersetzen.
	Fehlerhafte Leiterplatte.	Steuerung des Trockners ersetzen.

Nach Einschalten der Stromversorgung zum Trockner läuft der Trockner ca. 30 Sekunden und startet dann nicht wieder.	Sensor blockiert oder Sensorlinse verkratzt oder beschädigt.	Sensorlinse auf Fremdkörper oder Schmutz überprüfen. Linse mit einem weichen feuchten Tuch und mildem Reinigungsmittel reinigen. Sensor ersetzen, wenn die Sensorlinse beschädigt oder verkratzt ist.
Trockner startet, ohne dass Hände darunter gehalten werden.	Zu dicht an Oberfläche bzw. am Gegenstand montiert.	Gegenstand oder Trockner gemäß Montageanweisungen mindestens 46 cm von einer reflektierenden Oberfläche und mindestens 61 cm von einem benachbarten Händetrockner montieren.
	Elektrisches Rauschen von Eingangsstromversorgung oder nahe liegendem Infrarot-betätigten Gerät.	Bestätigen, dass die Basis des Trockners ordnungsgemäß geerdet ist. Bestätigen, dass der Trockner an einem eigenen Stromkreis angeschlossen ist.
		Überprüfen, ob ein nahe liegendes Infrarot-betätigtes Gerät den Trockner auslöst.
	Fehlerhafte Leiterplatte.	Leiterplatte ersetzen.
Trocknerluft ist zu kalt.	Steuerschalter des Heizelements ist ausgeschaltet.	Steuerschalter des Heizelements einschalten.
	Fehlerhafte Leiterplatte.	Hände unter den Sensor halten. Auf ein „Klicken“ des Leiterplattenrelais achten. Wenn kein „Klicken“ hörbar ist, die Leiterplatte ersetzen.
	Fehlerhaftes Heizelement.	Wenn ein „Klicken“ des Leiterplattenrelais hörbar ist und der Trockner weiterhin Kaltluft bläst, das Heizelement ersetzen.
Trocknerluft ist zu heiß.	Übermäßige Ansammlung von Flusen/Schmutzrückständen.	Siehe Wartungs- und Reinigungsanweisungen (Seite 5).
Luftleistung des Trockners ist zu langsam.	Übermäßige Ansammlung von Flusen/Schmutzrückständen.	Siehe Wartungs- und Reinigungsanweisungen (Seite 5).
Übermäßiger Lärm oder Vibrationen.	Lockere Befestigungsschrauben.	Bestätigen, dass der Trockner ordnungsgemäß an der Wand befestigt ist und dass der Motor ordnungsgemäß an der Basis des Trockners montiert ist.
	Fremdkörper im Gebläsegehäuse oder Trocknerauslass.	Jegliche Fremdkörper im Gebläsegehäuse oder Trocknerauslassluftschlitz entfernen.

Eingeschränkte Garantie

EINGESCHRÄNKTE ZEHN-JAHRES-GARANTIE VON World. Die World Dryer Corporation gewährt dem Erstbenutzer des in diesem Handbuch beschriebenen Modells des Warmluft-Händetrockners von World eine Garantie gegen Verarbeitungs- oder Materialmängel bei normaler Benutzung für einen Zeitraum von 10 Jahren ab Kaufdatum für alle Komponenten mit Ausnahme von Motorbürsten (3 Jahre), Motor (5 Jahre) und Sensor (5 Jahre). Teile, bei denen das Material bzw. die Verarbeitung als fehlerhaft befunden wird und die mit vorausbezahlten Versandkosten an eine befugte, von World bestimmte Kundendienststelle eingesandt werden, werden als zugesicherte Abhilfemaßnahme im Ermessen von World repariert bzw. ersetzt. Informationen zur Abwicklung von Ansprüchen unter der eingeschränkten Garantie sind im nachstehenden Abschnitt UNVERZÜGLICHE MÄNGELBESEITIGUNG zu finden. Diese eingeschränkte Garantie verleiht dem Käufer bestimmte Rechte, die in jeder Rechtsordnung verschieden sein können.

HAFTUNGSBESCHRÄNKUNG. World lehnt die Haftung für Folgeschäden und Nebenkosten ausdrücklich ab, soweit dies gesetzlich zulässig ist. Die Haftung von World beschränkt sich in allen Fällen auf den gezahlten Kaufpreis und darf diesen nicht überschreiten.

HAFTUNGAUSSCHLUSS. World ist immer bestrebt, gewissenhaft zusammengestellte Produktinformationen zur Verfügung zu stellen und das Produkt in diesem Anweisungsblatt genau abzubilden. Solche Informationen und Abbildungen sind jedoch nur zur Identifikation gedacht und stellen keine ausdrückliche oder stillschweigende Garantie für die ALLGEMEINE GEBRAUCHSTAUGLICHKEIT der Produkte bzw. die GEEIGNETHEIT FÜR EINEN BESTIMMTEN ZWECK dar sowie auch keine Garantie dafür, dass die Produkte notwendigerweise den Abbildungen oder Beschreibungen entsprechen. Vorbehaltlich unten stehender Bestimmungen übernimmt oder autorisiert World keine ausdrückliche oder stillschweigende Garantie oder Zusicherung von Tatsachen neben den vorstehenden Bestimmungen in „EINGESCHRÄNKTE GARANTIE“.

GEEIGNETHEIT UND ANGEMESSENHEIT DES PRODUKTS. In vielen Rechtsordnungen gibt es Gesetze und Regelungen zum Kaufrecht, zur Bauweise, Installation und/oder zur Verwendung von Produkten für bestimmte Zwecke, welche sich von angrenzenden Gebieten unterscheiden können. Obwohl World bestrebt ist, sicherzustellen, dass die Produkte diesen Gesetzen entsprechen, kann keine Garantie dafür übernommen werden und World ist nicht dafür verantwortlich, wie das Produkt installiert oder verwendet wird. Vor dem Kauf und der Verwendung eines Produkts muss der Käufer sich mit den Anwendungsmöglichkeiten des Produkts sowie allen zutreffenden nationalen und örtlichen Gesetzen und Regelungen vertraut machen und sicherstellen, dass das Produkt sowie dessen Montage und Verwendung mit diesen Vorschriften übereinstimmen wird.

Bestimmte Aspekte von Haftungsausschlüssen gelten nicht für Verbraucherprodukte, z. B. (a) in einigen Rechtsordnungen ist der Ausschluss oder die Beschränkung der Haftung für Folgeschäden oder Nebenkosten ausgeschlossen und daher kann es sein, dass die vorstehenden Beschränkungen oder Ausschlüsse für Sie keine Anwendung finden, (b) in einigen Rechtsordnungen ist auch die zeitliche Beschränkung einer stillschweigenden Garantie unzulässig und daher wäre die vorstehende Haftungsbeschränkung in einem solchen Fall für Sie nicht anwendbar und (c) es ist gesetzlich vorgeschrieben, dass während der Laufzeit dieser eingeschränkten Garantie stillschweigende Garantien für konkludente Zusicherung der allgemeinen Gebrauchstauglichkeit oder Geeignetheit für einen bestimmten Zweck hinsichtlich von Verbrauchern erworbener Verbraucherprodukte nicht ausgeschlossen oder anderweitig abgelehnt werden können.

Hergestellt von World Dryer Corporation, Berkeley, Illinois 60163, USA.

UNVERZÜGLICHE MÄNGELBESEITIGUNG. World wird sich im Hinblick auf alle Produkte, die innerhalb der eingeschränkten Garantiezeit einen erwiesenen Mangel aufweisen, gutgläubig um eine unverzügliche Mängelbeseitigung oder einen Ausgleich bemühen. Jede Kommunikation in Bezug auf ein mangelhaftes Produkt innerhalb der eingeschränkten Garantiezeit ist zunächst schriftlich oder telefonisch an den Händler zu richten, von dem das Produkt erworben wurde. Der Händler wird dann zusätzliche Anweisungen zur Verfügung stellen. Sollte das Problem nicht zufriedenstellend behoben werden können, wenden Sie sich schriftlich an World unter der untenstehenden Adresse. Geben Sie dabei den Namen und die Adresse des Händlers sowie Rechnungsdatum und -nummer an und beschreiben Sie die Art des Mangels. Mit der Übergabe an ein Transportunternehmen gehen Eigentum und Verlustrisiko auf den Käufer über. Wenn das Produkt beim Transport beschädigt wurde, sind Ansprüche an das Transportunternehmen zu richten.



WORLD DRYER

5700 McDermott Drive
Berkeley, IL 60163, USA
800-323-0701
www.worlddryer.com

Descrizione

L'asciugamani elettrico ad aria calda per montaggio su superficie World è conforme alle norme ADA (American Disabilities Act); è alimentato da un motore a spazzole universale ed eroga un massimo di 950 W di potenza per l'asciugatura. L'asciugamani include una resistenza riscaldante integrata con opzioni per l'uso con o senza aria riscaldata. L'asciugamani si attiva automaticamente grazie a un sensore a infrarossi. Questi modelli sono intesi per l'uso in ambienti commerciali e industriali, nonché in uffici ed edifici pubblici.

Specifiche elettriche

Tabella 1

Modelli	Tipo	Ingressi elettrici	Amperaggio nominale	Potenza nominale in W	Certificazioni
L48-XXX	Automatico	230 V c.a., 50/60 Hz	4,1 A	950	CE

Informazioni generali sulla sicurezza

Questo apparecchio non è inteso per l'uso da parte di bambini piccoli o persone affette da disabilità fisica, sensoria o mentale se non sono sorvegliati da una persona responsabile che garantisca che l'apparecchio venga usato in maniera sicura. I bambini piccoli devono essere sorvegliati per garantire che non giochino con l'apparecchio.



PERICOLO

Il mancato scollegamento dalla fonte di alimentazione prima dell'installazione o della riparazione potrebbe causare gravi lesioni o morte da folgorazione.

- Scollegare sempre la fonte di alimentazione prima di riparare o installare l'asciugamani.



PERICOLO

La messa a terra non adeguata di questa unità potrebbe causare grave folgorazione e/o morte.

- Per garantirne un funzionamento sicuro, questo asciugamani deve avere un'adeguata messa a terra. Sulla base inferiore dell'asciugamani è indicato un punto di collegamento per messa a terra.
- In applicazioni con ambiente bagnato o umido si consiglia una protezione GFCI o secondo i codici vigenti a livello locale.



AVVERTENZA

Qualora non si rispettino i codici vigenti a livello locale o i consigli sulla sicurezza, esiste il pericolo di incendio, lesioni a persone o danni alle cose.

- L'installazione e la riparazione devono essere eseguite solo da elettricisti qualificati.
- Utilizzare solo l'alimentazione elettrica (tensione e frequenza) specificata per il modello di asciugamani in fase di installazione. Consultare la Tabella 1 – Specifiche elettriche.
- Collegare l'asciugamani al quadro elettrico adeguato più vicino. Nel cablaggio fisso deve essere incluso un dispositivo per scollegare l'alimentazione che sia conforme ai codici elettrici locali.
- Al fine di limitare un'eventuale caduta di tensione e garantire un funzionamento efficiente, usare un filo di misura 12 (14 mm²) o superiore, come richiesto dai codici elettrici locali.
- Collegare sempre a un circuito derivato protetto da interruttore automatico o fusibile con una potenza nominale superiore all'amperaggio nominale del modello di asciugamani riportato nella Tabella 1 – Specifiche elettriche.
- Onde evitare pericoli a seguito di un resettaggio involontario del limite termico, non alimentare l'asciugamani attraverso un dispositivo di commutazione esterno, quale ad esempio un timer, né collegandolo ad un circuito commutato regolarmente (on/off) dalla linea di servizio.
- Ciascun modello automatico di asciugamani deve disporre di un circuito dedicato.
- Instradare tutto il cablaggio lontano da parti mobili all'interno dell'asciugamani.



ATTENZIONE

Un montaggio inadeguato potrebbe causare lesioni a persone o danni a cose.

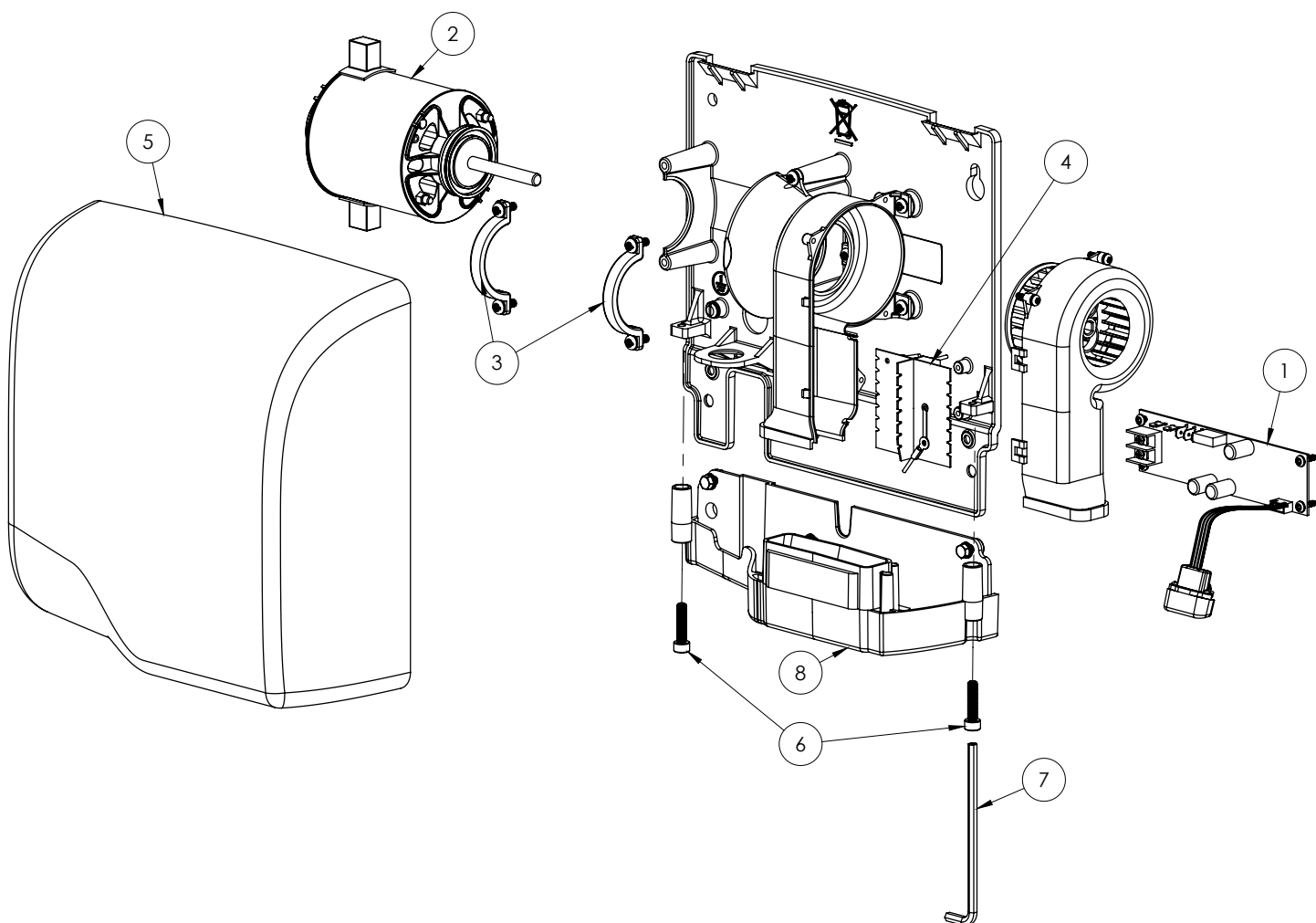
- Seguire le indicazioni relative all'altezza di montaggio contenute nella Tabella 2.
- Su una parete in cartongesso con intelaiatura in legno, un lato dell'asciugamani deve essere montato su una trave del telaio.

Disimballaggio

1. Togliere tutto il materiale di imballaggio. Si consiglia di riciclarlo.
2. Togliere con cura l'asciugamani dalla scatola di spedizione, facendo attenzione a non far cadere l'elettrodomestico.
3. Ispezionare con cura per verificare che durante il transito l'unità non abbia subito danni. Controllare che non vi siano parti allentate, mancanti o danneggiate. Qualora l'asciugamani abbia subito danni, informare subito il punto di acquisto.

Elenco parti

Elenco parti di riparazione per l'asciugamani SLIMdri™



Tutti i kit includono i fissaggi necessari per l'installazione. Il numero di parte per il gruppo copertura (numero di riferimento 5) dipende dal numero di modello per l'asciugamani.

Per le parti di riparazione, visitare il sito www.WorldDryer.com

Indicare le seguenti informazioni:

- N. di modello
- N. di serie
- Descrizione della parte e numero riportato nell'elenco parti

#	Descrizione	N. di parte
1	Kit, controlli asciugamani	16-10145K
2	Kit, motore	32-230(A)K
3	Kit, morsetti motore	33-10082K
4	Kit, resistenza riscaldante	21-10144K
5	Gruppo copertura – alluminio – bianco	20-L974
	Gruppo copertura – alluminio – cromo lucidato	20-L970
	Gruppo copertura – alluminio – cromo spazzolato	20-L971
	Gruppo copertura – acciaio inossidabile (lucidato)	20-L972
	Gruppo copertura – acciaio inossidabile (spazzolato)	20-L973
6	Kit, viti di tenuta	46-04022K
7	Chiave, di sicurezza	56-10092
8	Kit, ripiano inferiore / griglia – (modelli L-972, L-973 e L-976)	28-10078K
	Kit, ripiano inferiore / griglia – (modelli L-970, L-971 e L-974)	28-10088K

Installazione

1. Scollegare la fonte di alimentazione.
2. Avvalendosi della Tabella 2 per determinare l'altezza di montaggio consigliata, selezionare un punto di montaggio per l'asciugamani dove non vi siano superfici o oggetti riflettenti (quali un lavandino) direttamente sotto la cellula del sensore a infrarossi. La cellula del sensore ad infrarossi è visibile dal lato inferiore dell'asciugamani. La distanza minima di montaggio dal fondo dell'asciugamani rispetto ad una superficie riflettente è di 46 cm. Qualora si installino due o più asciugamani, calcolare una distanza di 61 cm tra l'uno e l'altro.
3. Utilizzare la chiave esagonale di sicurezza in dotazione per girare le viti di montaggio in **senso orario** per rimuovere la copertura dall'asciugamani.
4. Usando la mascherina di montaggio in dotazione, contrassegnare sulla parete la posizione dei 4 fori per i bulloni di montaggio.
5. Fissare la base alla parete, utilizzando il tipo di bulloni suggeriti nella Tabella 3.
6. Ciascun asciugamani deve disporre del proprio circuito dedicato.
7. Collegare l'asciugamani al quadro elettrico adeguato più vicino.
8. Rimontare la copertura, girare le viti in **senso antiorario**, accertandosi di non serrarle eccessivamente.

IMPORTANTE: prima di eseguire l'installazione dell'asciugamani, consultare le normative locali e generali. Accertarsi che la rete elettrica non sia sovraccarica. Collegare sempre ad un circuito derivato dedicato protetto da interruttore automatico o fusibile e con una potenza nominale superiore all'ampereaggio nominale del modello di asciugamani riportato nella Tabella 1 – Specifiche elettriche.

Tabella 2

Altezze di montaggio consigliate, dal pavimento al fondo dell'asciugamani	pollici (cm)
Bagno per uomini	46 (117)
Bagno per donne	44 (112)
Bagno per bambini (4-7 anni)	32 (81)
Bagno per bambini (7-10 anni)	36 (91)
Bagno per bambini (10-13 anni)	40 (102)
Bagno per bambini (13-17 anni)	44 (112)
Altezza di montaggio per persone disabili	37 (94)

Tabella 3

Tipo di parete	Tipo di bullone	Lunghezza minima bulloni
Piastrella vuota, traliccio, cartongesso o metallo	Vite da ¼" (M6) o bulloni con dado ad alette espansibili	Secondo lo spessore della parete
Cemento, mattoni, cemento o mattoni piastrellati	Bulloni di espansione con perno da ¼" (M6)	3 pollici (76 mm)
Parete con intelaiatura e rinforzo in legno	Viti in legno n. 16 (M8)	2,75 pollici (70 mm)

Regolazione dei controlli della resistenza

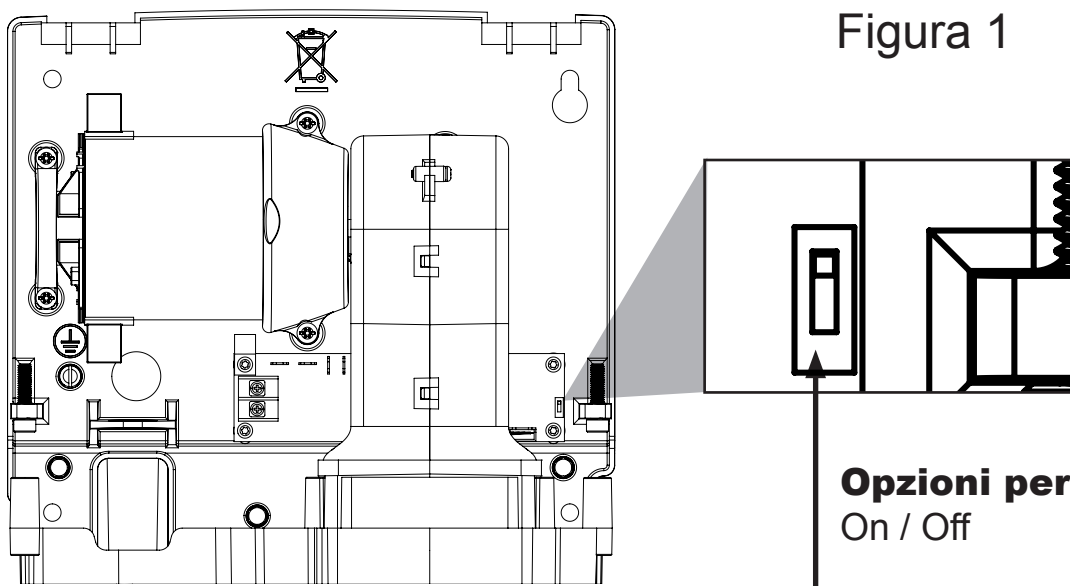
L'asciugamani può essere azionato con la resistenza accesa ("ON") o spenta ("OFF").

Nota: l'impostazione di fabbrica per la resistenza è accesa ("ON").

Il controllo della resistenza si trova sulla scheda a circuito stampato all'interno dell'asciugamani.

Per regolare i controlli della resistenza:

1. Scollegare la fonte di alimentazione.
2. Utilizzare la chiave esagonale di sicurezza in dotazione per girare le viti di montaggio in **senso orario** per rimuovere la copertura dall'asciugamani.
3. Individuare l'interruttore di controllo della resistenza sulla scheda a circuito stampato (vedere la Fig. 1).
4. Posizionare l'interruttore di controllo della resistenza su "ON" o "OFF" come desiderato.
5. Rimontare la copertura dell'asciugamani avvalendosi della chiave esagonale di sicurezza in dotazione per girare le viti di montaggio in **senso antiorario** e serrare fin quando risultano sicure. Non serrare eccessivamente.



Istruzioni per la manutenzione e la pulizia

IMPORTANTE: *nell'asciugamani si possono accumulare filaccia e detriti presenti normalmente nell'aria. L'accumulo eccessivo può danneggiare il motore e la resistenza. Si deve pulire l'asciugamani a intervalli regolari per garantirne il corretto funzionamento. In ambienti con utilizzo da leggero a moderato, sarà sufficiente una pulizia annuale. In ambienti con utilizzo più frequente, si consiglia una pulizia ogni 6 mesi.*

Per pulire l'asciugamani:

1. Scollegare la fonte di alimentazione.
2. Utilizzare la chiave esagonale di sicurezza in dotazione per girare le viti di montaggio in senso orario per rimuovere la copertura dall'asciugamani.
3. Usare un pennello con setole morbide per pulire filaccia, polvere e detriti dalle fessure di ingresso dell'aria e dall'esterno del motore.
4. Al termine, rimontare la copertura dell'asciugamani avvalendosi della chiave esagonale di sicurezza in dotazione per ruotare le viti di montaggio in senso antiorario e serrare fin quando risultano sicure. Non serrare eccessivamente.

Tabella per l'individuazione e la soluzione dei problemi

L'asciugamani non si accende.	Sensore ostruito.	Verificare che sulla lente del sensore non vi sia materiale estraneo.
	Unità non alimentata.	Guardare direttamente nella lente del sensore per vedere se il LED è acceso. Se il LED è spento, verificare che l'alimentazione in ingresso sia accesa. Controllare i collegamenti elettrici.
	Scheda a circuito stampato guasta.	Se il LED è acceso. Posizionare le mani sotto il sensore. Ascoltare il "clic" del relè della scheda. Se non si sente il "clic", sostituire la scheda.
	Il motore o le sue spazzole devono essere sostituiti.	Se si conferma che l'alimentazione in ingresso è accesa e la luce del LED non è visibile, sostituire la scheda.
L'asciugamani non si spegne.	Collegamenti elettrici allentati.	Controllare che i collegamenti dell'alimentazione in ingresso siano saldo.
		Sostituire la scheda a circuito stampato.
	Scheda a circuito stampato guasta.	Sostituire i controlli dell'asciugamani.

Dopo averlo acceso, l'asciugamani si attiva per circa 30 secondi, quindi non si accende più.	Ostruzione del sensore oppure lente del sensore graffiata o danneggiata.	Verificare che sulla lente del sensore non vi sia materiale estraneo o sporcizia. Pulire la lente con un panno morbido inumidito e detergente delicato. Se la lente del sensore è danneggiata o graffiata, sostituire il sensore.
L'asciugamani si attiva senza mani presenti.	Montato troppo vicino al piano di lavoro o a un oggetto.	Spostare l'oggetto o l'asciugamani in base alle istruzioni di installazione in modo di garantire una distanza minima di 46 cm da qualsiasi superficie riflettente e di 61 cm da un altro asciugamani.
	Rumore elettrico dall'alimentazione in ingresso o da un dispositivo attivato a infrarossi nelle vicinanze.	Verificare che la base dell'asciugamani sia messa a terra in maniera adeguata.
		Verificare che l'asciugamani sia collegato a un circuito elettrico dedicato.
		Verificare se l'asciugamani viene attivato da un dispositivo attivato a infrarossi nelle vicinanze.
	Scheda a circuito stampato guasta.	Sostituire la scheda a circuito stampato.
L'aria dell'asciugamani è troppo fredda.	L'interruttore di controllo della resistenza è nella posizione spenta ("OFF").	Posizionare l'interruttore di controllo della resistenza su acceso ("ON").
	Scheda a circuito stampato guasta.	Posizionare le mani sotto il sensore. Ascoltare il "clic" del relè della scheda. Se non si sente il "clic", sostituire la scheda.
	Resistenza guasta.	Se si sente il "clic" proveniente dal relè della scheda ma l'asciugamani continua a emettere aria fredda, sostituire la resistenza.
L'aria emessa dall'asciugamani è troppo calda.	Accumulo eccessivo di filaccia o detriti.	Vedere le istruzioni per la manutenzione e la pulizia a pagina 5.
L'aria esce dall'asciugamani troppo lentamente.	Accumulo eccessivo di filaccia o detriti.	Vedere le istruzioni per la manutenzione e la pulizia a pagina 5.
Rumore o vibrazioni eccessive.	Viti di montaggio allentate.	Verificare che l'asciugamani sia fissato saldamente alla parete e che il motore sia fissato saldamente alla base dell'asciugamani.
	Materiale estraneo nell'alloggiamento del ventilatore o nell'apertura di uscita dell'asciugamani.	Controllare e rimuovere eventuale materiale estraneo nell'alloggiamento del ventilatore o nell'apertura di uscita dell'asciugamani.

Garanzia limitata

GARANZIA LIMITATA World DI DIECI ANNI. Il modello di asciugamani elettrico ad aria calda World illustrato in questo manuale viene garantito dalla World Dryer Corporation all'utente originale da difetti di manodopera o nei materiali in condizioni di utilizzo regolare, per 10 anni dalla data dell'acquisto per tutti i componenti escluse le spazzole del motore (3 anni), il motore (5 anni) e il sensore (5 anni). Qualsiasi parte che risulti difettosa per materiale o manodopera e restituita ad un centro per riparazioni autorizzato, designato da World, con costi di spedizione pre-pagati, verrà, a suo esclusivo rimedio, riparata o sostituita a discrezione della World. Per le procedure di reclamo coperte dalla garanzia limitata, consultare la sezione DESTINAZIONE IMMEDIATA di cui sotto. Questa garanzia limitata offre agli acquirenti diritti specifici che variano da una giurisdizione all'altra.

LIMITAZIONE DI RESPONSABILITÀ. Nella misura in cui sia ammesso dalle leggi vigenti, la responsabilità World in caso di danni derivati o fortuiti viene espressamente declinata. In tutti i casi la responsabilità della World è limitata e non supererà il prezzo pagato per l'acquisto.

ESCLUSIONE GARANZIA. World si è impegnata ad offrire informazioni sul prodotto e ad illustrare con cura i prodotti contenuti in questa documentazione; tuttavia, tali informazioni e illustrazioni sono al solo scopo di identificazione e non indicano o implicano espressamente garanzia che i prodotti sono COMMERCIALI O IDONEI PER UNO SCOPO PARTICOLARE, o che i prodotti saranno necessariamente conformi alle illustrazioni o descrizioni. Fatta eccezione per quanto descritto di seguito, nessuna garanzia o affermazione, espressa o implicita, se non quella indicata nella "GARANZIA LIMITATA" di cui sopra, viene effettuata o autorizzata da World.

IDONEITÀ DEL PRODOTTO. Molte giurisdizioni prevedono codici e regolamenti che governano vendite, costruzione, installazione e/o utilizzo dei prodotti per scopi specifici, che possono variare da quelli in aree adiacenti. Sebbene World tenti di garantire che i prodotti siano conformi a tali codici, non potrà garantire conformità e non potrà essere ritenuta responsabile dell'installazione o dell'utilizzo dei prodotti stessi. Prima di acquistare e utilizzare un prodotto, verificarne l'applicazione, unitamente a tutti i codici ed i regolamenti di pertinenza e vigenti a livello nazionale e locale, accertandosi che il prodotto, l'installazione e l'utilizzo siano conformi a quanto previsto.

Taluni aspetti delle dichiarazioni non sono applicabili ai prodotti per consumatori; ad esempio, (a) alcune giurisdizioni non consentono l'esclusione o la limitazione di danni fortuiti o derivati, di conseguenza la limitazione o esclusione di cui sopra non avrà valore; (b) inoltre, alcune giurisdizioni non consentono la limitazione della durata di una garanzia implicita e di conseguenza la limitazione di cui sopra potrebbe non riguardare l'utente in questione; infine (c) secondo le leggi vigenti durante il periodo di questa Garanzia Limitata e delle garanzie implicite di commerciabilità o idoneità implicita per uno scopo particolare riguardanti prodotti per consumatori acquistati da consumatori, potrebbero non essere escluse o altresì dichiarate.

Fabbricato da World Dryer Corporation, Berkeley, Illinois 60163 U.S.A.

DESTINAZIONE IMMEDIATA. World si impegna ad apportare rapidamente correzioni o altre modifiche riguardo a qualsiasi prodotto ritenuto difettoso durante il periodo della Garanzia Limitata. Per qualsiasi prodotto ritenuto difettoso durante il periodo della Garanzia Limitata, informare dapprima (per iscritto o per telefono) il concessionario presso cui si è effettuato l'acquisto. Il concessionario fornirà istruzioni in merito. Qualora non si sia soddisfatti del rimedio proposto, rivolgersi per iscritto a World all'indirizzo di cui sotto, indicando il nome del concessionario, l'indirizzo, la data ed il numero di fattura del concessionario, descrivendo infine la natura del difetto. Titolo e rischio di perdita passano all'acquirente alla consegna al trasportatore comune. Qualora il prodotto riporti danni durante il transito all'acquirente, presentare reclamo al trasportatore.



5700 McDermott Drive
Berkeley, IL 60163 U.S.A.
800-323-0701
www.worlddryer.com