

LN Hand Dryer

New Stylish and Economical Hand Dryer



by World Dryer Corporation



- Modern sleek design
- Quiet sound level
- Affordable pricing with durable Aluminum cover
- Automatic activation
- Multi-voltage (100 to 240 Volts)



Electric-Aire LN Hand Dryer

New Economical and Stylish Hand Dryer

Economical & Durable - Electric-Aire LN hand dryer is the newest economical stylish and durable hand dryer with a cover of die cast Aluminum with white epoxy enamel.

Stylish Design - Modern sleek design complements any washroom décor.

Quiet - LN hand dryer is quiet with low sound level. It is the best choice for light to medium traffic facilities.

Automatic Operation - Automatic operation encourages healthy hygiene.

Multi-Voltage - LN allows multi-voltage application (100-240 Volts) that fits most electric supplies.

Electrical information

Volts	Amps	Watts	Freq
100-240 V	8.7	1000	50/60 Hz

Performance

Air Speed	Air Flow	Temperature Rise
75 MPH	134 CFM	70°F



Why Choose Hand Dryers?

Best Cost Savings

- 90%+ Savings over the cost of paper towels

Lowest Maintenance

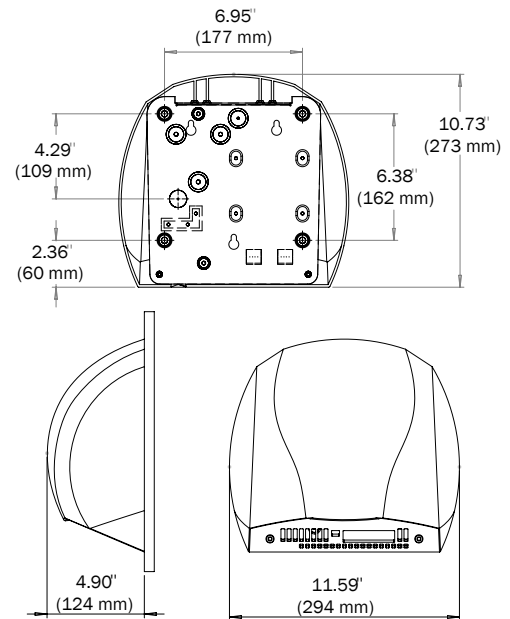
- No purchasing or stocking of paper towels,
- No overflowing trash cans to empty
- No fear of running out of paper towels
- No paper towels clogging your toilets

More Hygienic

- Reduces micro-organisms
- No dirty towel overflow and littered floors
- Automatic activation prevents cross contamination

Environmentally Friendly

- Saves Trees
- Less waste removed to landfills
- Helps to Earn LEED credits



Model	Cover Material	Cover Color	Mounting Options	Unit Weight	Unit size HxWxD	Shipping size HxWxD
LN-974	Aluminum	White	Surface	10 lbs / 4.55 kgs	10.7" x 11.6" x 4.9" 273 x 294 x 124	13.75" x 14.5" x 8" 349 x 368 x 203



92-MT038 Rev02

5700 McDermott Drive, Berkeley, IL 60163
 Tel: (800) 323-0701, (708) 449-6950
 Fax: (708) 449-6958
www.worlddryer.com

Distributor