

HEPA-Filtered VERDEdri & VMax V2

Cleaner than Air™.
Completely Touch-Free.



Our next-gen, HEPA-filtered VERDEdri and VMax V2 lead the way in hand drying solutions, thanks to their hygienic features, touchless operation, and fast dry times.

Users appreciate the completely touch-free sensor activation. **Cleaner than Air** HEPA filtration captures 99.97% of particles, 0.3 µm or larger, cleaning the air before it reaches hands.

From there, the high speeds dry hands in as little as 10-12 seconds, making the solutions efficient for users and the environment. Antimicrobial technology¹ helps maintain a cleaner environment.

Both models also consider the user's comfort by design. VMax V2's 25% wider drying cavity gives more room for touchless drying, while VERDEdri's refined acoustics operates 30% quieter² than before.

Upgrade to HEPA-filtered hand dryers for superior sanitation and user experience.



Hygienic Features

HEPA filter captures 99.97% of particles³. Antimicrobial technology protects the treated surfaces on the dryer by inhibiting the growth of bacteria, mold and fungus that can cause stains, odors or deterioration.



Cost-Effective Performance

Energy efficient technology consumes less energy, costing approximately 33 cents for every 1,000 cycles.



Fast Dry Time

High-speed, sensor operation dries hands thoroughly in 10 to 12 seconds flat.



ADA Compliant

Surface-mount installation and compact design ensure compliance for walkways and pathways.

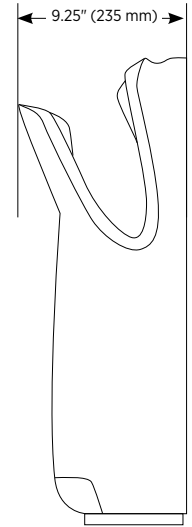
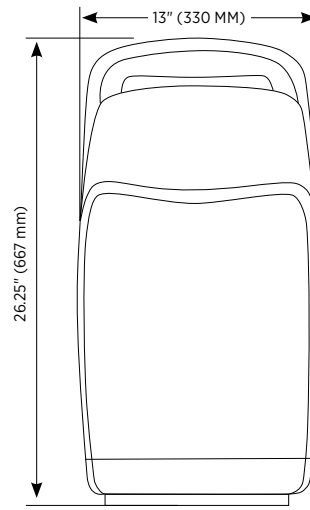
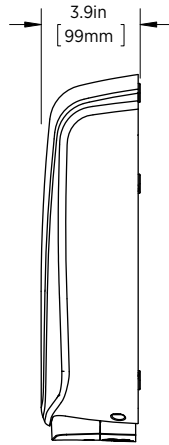
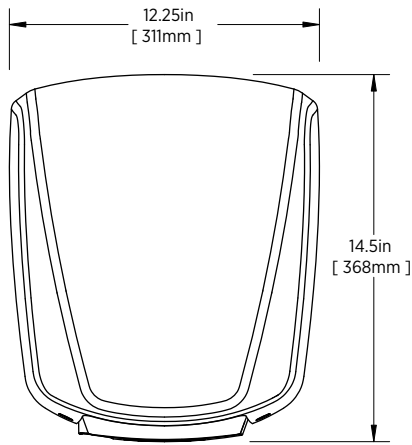


Extended Life

High-performance motor lasts 3 times longer than competing models.

Upgrade to HEPA-Filtered Hand Drying

Specifications



IP24



IP33



VERDEDRI

COVER MATERIAL	COVER FINISH / KIT	110-120 / 208 / 220-277 V	UNIT WEIGHT	SHIPPING WEIGHT	UNIT SIZE (HXWXD) INCH [MM]	SHIPPING SIZE (HXWXD) INCH [MM]
Aluminum	White	Q-974A2	9.8 lb / 4.4 kg	11.9 lb / 5.4 kg	13.3" x 11.6" x 3.9" [339 x 295 x 100]	14.2" x 16" x 6.7" [360 x 405 x 170]
	Black	Q-162A2				
Stainless Steel	Polished	Q-972A2	11.3 lb / 5.1 kg	13.4 lb / 6.1 kg	13.3" x 11.6" x 3.9" [339 x 295 x 100]	14.2" x 16" x 6.7" [360 x 405 x 170]
	Brushed	Q-973A2				

VMAX V2

COVER MATERIAL	COVER FINISH / KIT	110-120 V	UNIT WEIGHT	SHIPPING WEIGHT	UNIT SIZE (HXWXD) INCH [MM]	SHIPPING SIZE (HXWXD) INCH [MM]
High Impact ABS	Silver	V-649A2 / B2512168	19.5 lb / 8.9 kg	25 lb / 11.3 kg	13" x 26.25" x 9.25" [330 x 667 x 235]	16" x 28.5" x 12" [406 x 724 x 305]

VERDEdri	110-120 V	208 V / 220-240 V	277 V
Amps	8.3	4.1	4.9
Watts	950	950	1150
Hz	50/60	50/60	60

VMAX V2	110-120 V	220-240V
Amps	10	4.3
Watts	1000	1000
Hz	60	50



Polished



Brushed



White



Black



Silver Hi-Impact ABS

Sound Level: Sound @ 79 in (2 m): 69 dBA measured in semi-anechoic chamber.

Choose a HEPA-filtered hand dryer for your restroom environment. World Dryer puts visionary products within arm's reach.

¹ Protects the treated surfaces on the dryer by inhibiting the growth of bacteria, mold and fungus that can cause stains, odors or deterioration.

² Compared to prior VERDEdri models.

³ 99.97% effective for particles 0.3 µm or larger.

