

Advantage AD is the perfect choice where the comfort and reliability of traditional dryers is needed. An added advantage over many competing models is its lower energy consumption. It's compact design, smart sensor, vandal resistant construction, and adjustable speed options make it attractive for any commercial washroom environment.

**Product Benefits**

- 25 second dry time
- Accepts 110-240 V input
- Adjusts sound and speed with easy dial adjustment
- Lower operating cost than many traditional dryers
- Automatic. Touch-free ... worry-free activation
- Durable and vandal resistant

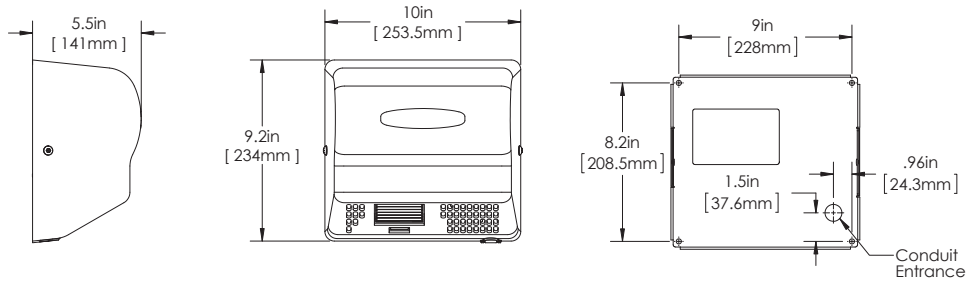


PERFORMANCE	
Dry Time:	25 seconds (adjustable)
Air Velocity:	35 - 83 mph (3,000 - 7,300 LFM)
Air Flow:	76 - 180 CFM
Air Temperature: (at 72°F room temperature)	120°F

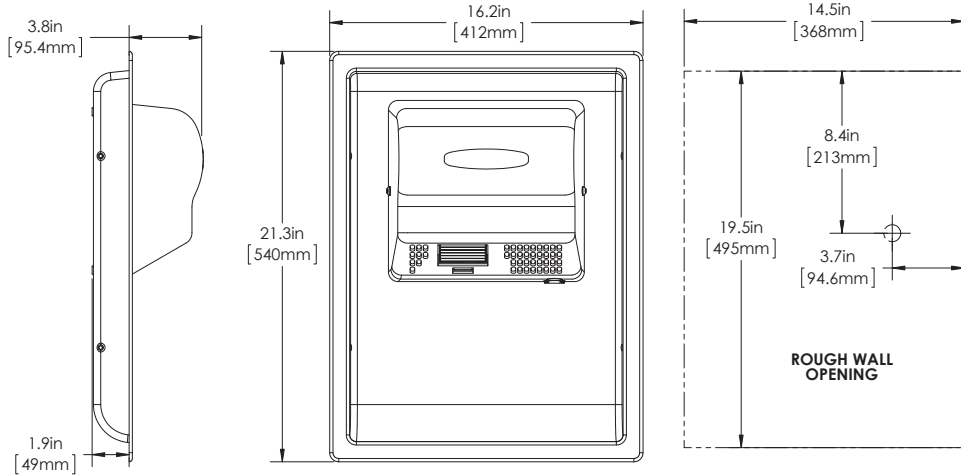
ELECTRICAL	
Voltage:	120 - 240 VAC
Power (adjustable):	400 - 1400 watts (120V) 350 - 1250 watts (240V)
Frequency:	60 Hz
Recommended Circuit:	Dedicated 20 Amp

CONSTRUCTION	
Cover Options (Material/Finish)	High impact ABS (white) Stainless steel (brushed finish) Epoxy painted steel (white) Epoxy painted steel (black)
Motor	Thermally-protected universal type, 1/8 HP, 4,800 RPM
Heating Element	Nichrome wire construction, 1200 watts, and auto-reset thermal-protector so power is disconnected if air is not flowing
Electronic Controls	Universal voltage (120 - 240 V)
Activation	Automatic touch-free infrared activation with 35 second vandal-resistant lock-out feature
Enclosure Security	Cover attached with tamper-resistant screws and security wrench included
Electrical Connection Access	Access for wall-mounted junction box and for bottom-entry surface mounted conduit
5-Year Limited Warranty	Warranted by the manufacturer to be free from defects in material workmanship for a period of five (5) years from the date of purchase. Warranty service include labor performed at factory as well as the repair or exchange of defective parts, at manufacturer's option.

**SURFACE MOUNTED**



**RECESS MOUNTED**



**Placement Instructions**

- Hand dryers should be spaced at least 2 feet apart, near but not over the washbasin
- In congested areas, dryers should be located to create a flow from wash basin to dryer to exit
- Advantage AD should be mounted at least 18" above or away from reflective surfaces which may interfere with the automatic sensor operation.
- Dryer Quantity Recommendation:
  - Average Traffic: 1 dryer per 2 wash basins
  - Heavy Traffic: 1 dryer per wash basin
  - Industrial 54" Circular wash fountains: 4 dryers per sink
- Recommended mounting heights from floor to dryer bottom edge

Men's washrooms	46" (117 cm)
Women's washrooms	44" (112 cm)
Children's washrooms, ages 4-7	32" (81 cm)
Children's washrooms, ages 7-10	36" (91 cm)
Children's washrooms, ages 10-13	40" (102 cm)
Children's washrooms, ages 13-17	44" (112 cm)
Handicap Mounting Height	37" (94 cm)

COVER MATERIAL/FINISH	ACTIVATION	MOUNTING	110-120 / 208 / 220-240 V	UNIT SIZE (HXWXD) INCH [MM]	SHIPPING SIZE (HXWXD) INCH [MM]	SHIPPING WEIGHT
Brushed S/S	Automatic	Surface	AD90-SS	10.1" x 9.4" x 5.6" [257 x 239 x 142]	6.75" x 11.5" x 10.25" [171 x 292 x 260]	9.4 lb / 4.2 kg
Steel White	Automatic	Surface	AD90-M	10.1" x 9.4" x 5.6" [257 x 239 x 142]	6.75" x 11.5" x 10.25" [171 x 292 x 260]	9.4 lb / 4.2 kg
Steel Black	Automatic	Surface	AD90-BG	10.1" x 9.4" x 5.6" [257 x 239 x 142]	6.75" x 11.5" x 10.25" [171 x 292 x 260]	9.4 lb / 4.2 kg
White ABS	Automatic	Surface	AD90	10.1" x 9.4" x 5.6" [257 x 239 x 142]	6.75" x 11.5" x 10.25" [171 x 292 x 260]	8 lb / 3.6 kg