

HEPA-Filtered VMax[®] V2

Dry to the Max with Cleaner than Air™



Take performance to the Max! Enhance user comfort and convenience—while drying hands in as little as 12 seconds.

Its 25% wider drying cavity offers more room for a touchless experience. **Cleaner than Air** HEPA filtration captures 99.97% of particles, 0.3 μm or larger, cleaning the air before it reaches hands. The antimicrobial technology¹ helps promote a cleaner environment by protecting the equipment.

We also considered convenience beyond the user. The VMax V2's water tray keeps water from pooling on the floor, while its smart LED display tells you when to empty it and change the HEPA filter. The brushless DC motor extends service life, dry after dry. Finally, we rounded it off with a 5-year warranty and ADA compliance for total peace of mind.



Hygienic Features

HEPA filter captures 99.97% of particles². Antimicrobial technology protects the dryer by inhibiting the growth of bacteria, mold and fungus that can cause stains, odors or deterioration.



Fast Dry Time

Dries hands thoroughly in 10 to 12 seconds flat.



Ergonomic Design

Gives users generous space with 25% wider drying cavity.



Water Collection

Collects residual water in a dedicated reservoir and prevents wet floor hazards.



Intelligent Maintenance

Signals when filter should be changed or water reservoir emptied through LED display.

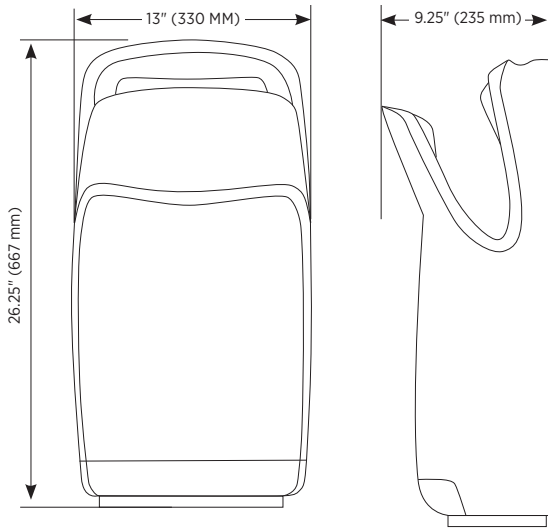


Surface-Mounted ADA Compliant

Surface-mount installation and design ensure compliance for walkways and pathways.

World-Class to the Max

Specifications



110-120 V	220-240 V 50 HZ	COVER FINISH / KIT	COVER MATERIAL	UNIT WEIGHT	SHIPPING WEIGHT	UNIT SIZE (HXWXD) INCH [MM]	SHIPPING SIZE (HXWXD) INCH [MM]
	# V48-629CE2	Silver	High Impact ABS	19.5 lb / 8.9 kg	25 lb / 11.3 kg	13" x 26.25" x 9.25" [330 x 667 x 235]	16" x 28.5" x 12" [406 x 724 x 305]
	# V-649A	Silver	High Impact ABS	19.5 lb / 8.9 kg	25 lb / 11.3 kg	13" x 26.25" x 9.25" [330 x 667 x 235]	16" x 28.5" x 12" [406 x 724 x 305]
	# 93-10385	HEPA Filter with Odor Neutralizing Tablet		0.2 lb / 0.09 kg	0.36 lb / 0.17 kg	6" x 1" x 3.5" [152 x 25 x 89]	6" x 4" x 4" [152 x 102 x 102]



Silver HI-Impact ABS

	110-120 V	220 - 240V
Amps	10	4.3
Watts	1000	1000
Hz	60	50

Choose the VMax V2 design for your restroom environment. World Dryer puts visionary products within arm's reach.

¹ Protects the treated surfaces on the dryer by inhibiting the growth of bacteria, mold and fungus that can cause stains, odors or deterioration.

² 99.97% effective for particles 0.3 µm or larger.